

PLEASE THINK BEFORE YOU PRINT

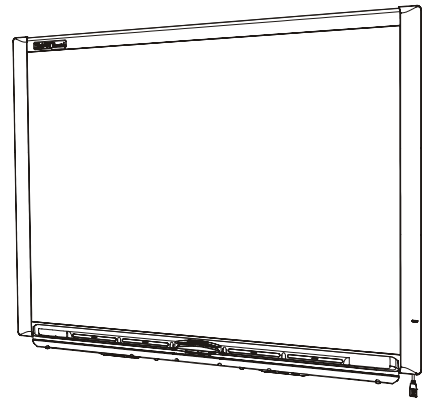
Specifications

SMART Board™ interactive whiteboard

Model 640

Physical specifications

Size	42" W × 32" H × 5 1/8" D (106.7 cm × 81.3 cm × 13 cm)
Active screen area (maximum interactive, projected image)	38 3/8" W × 28 3/4" H (97.5 cm × 73 cm) 48" (121.9 cm) diagonal
FS640 floor stand (with SB640 installed)	42" W × 52 3/4" to 66 3/4" H × 40 3/8" D (106.7 cm × 134 cm to 169.6 cm × 102.5 cm)
Weight	14 lb. 12 oz. (6.7 kg)
Shipping size	
1 unit	46" W × 46 1/2" H × 5 1/2" D (116.8 cm × 118.1 cm × 14 cm)
8 units on pallet	7" W × 51 1/2" H × 45" D (119.4 cm × 130.8 cm × 114.3 cm)
Shipping weight	
1 unit	25 lb. (11.4 kg)
8 units on pallet	216 lb. (98.2 kg)



All dimensions +/- 1/8" (0.3 cm). All weights +/- 2 lb. (0.9 kg)

Extraordinary made simple™

SMART™

Standard features

Software	SMART Notebook™ collaborative learning software included. See the SMART Notebook release notes for a complete list of system requirements. Software upgrades are available at smarttech.com/software .
Pen tray	Optical sensors in the pen tray detect when a pen or eraser is lifted from the tray. LEDs show the active tool.
Pens and eraser	Black, blue, red and green pen tray pens and a rectangular eraser
Resolution	Touch resolution is approximately 4000 × 4000.
Screen surface	The hard-coated polyester surface is tear proof, optimized for projection, compatible with dry-erase markers and is easily cleaned with whiteboard cleaner.
Digitizing technology	Resistive
Frame finish	Two-tone gray (approximates Pantone® Charcoal Gray 18-0601 TPX) and Ultrasonic Chrome (approximates metallic Pantone 877 C)
Wall-mount bracket	32" (81.3 cm) wide with five screws and five drywall anchors to support a wall-mounted interactive whiteboard
Computer connection	16' (5 m) USB 2.0 cable
Power requirements	Power is obtained from the computer directly through the USB cable for Windows®, Mac and Linux® computers. Power consumption is less than 1.5 W (300mA at 5V).
Certifications and compliance	CSA (U.S./Canada), CE, CB (TUV), China EIP, EU RoHS, WEEE and VCCI
Warranty	Five-year limited equipment warranty upon registration. See warranty document for details.

NOTE

A digital projector isn't included with this model of SMART Board™ interactive whiteboard. To take advantage of all interactive features, you must integrate a digital projector.

Storage and operating specifications

Storage	-40°F to 120°F (-40°C to 50°C)
Operation	41°F to 95°F (5°C to 35°C) with up to 80% humidity, non-condensing

SMART order number

SB640	48" (121.9 cm) diagonal SMART Board interactive whiteboard
--------------	--

Optional accessories

Part number	Description	NA	UK	AU
CB6	Firm-sided carrying bag for the SMART Board 640 interactive whiteboard			
CBJ-640	Padded carrying bag for the SMART Board 640 interactive whiteboard and the TS640 table stand			
HSCJ-640	Hard shipping case for the SMART Board 640 interactive whiteboard and the TS640 table stand			
FS640	Mobile floor stand with 4" (10.2 cm) lockable casters and flip-up anti-tip feet			
TS640	Table stand installs quickly to allow the SMART Board 640 interactive whiteboard to be used on a table			
RS232-XX	RS-232 to USB conversion module that allows a serial connection to the interactive whiteboard as an alternative to USB	✓	✓	
WC6D-XX	Wireless Bluetooth® connection between the SMART Board interactive whiteboard and the computer	✓	✓	
SBA-XX	USB audio system with two 15 W speakers that mount to the interactive whiteboard or wall	✓	✓	✓
SYSON6-XX	SystemOn expansion module wakes up the computer and turns on the projector with one button press	✓	✓	
USB-GW	GoWire™ SMART Notebook software auto-launch cable			
USB-XT	16' (5 m) USB active extension cable			
CAT5-XT	USB to Cat 5 cable extender set			
RPEN-ER	Replacement set of four pen tray pens (black, red, blue and green) and rectangular eraser			
RPEN	Replacement set of four pen tray pens (black, red, blue and green)			

NOTE

Part numbers ending in XX include power supplies for the countries or regions, as indicated by ✓ in the columns to the right. When ordering, substitute XX in the part number with the appropriate country code as follows:

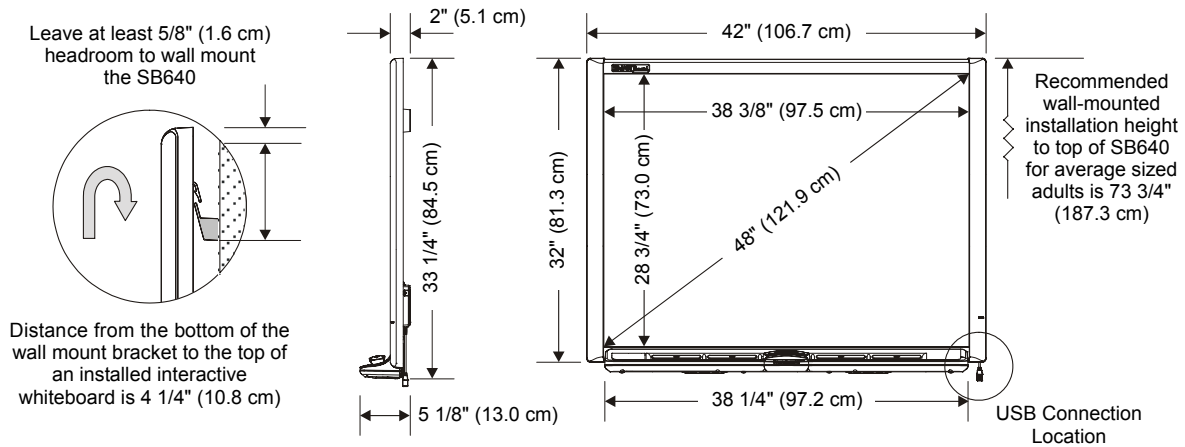
NA = U.S. and Canada

UK = United Kingdom

EU = European Union

AU = Australia

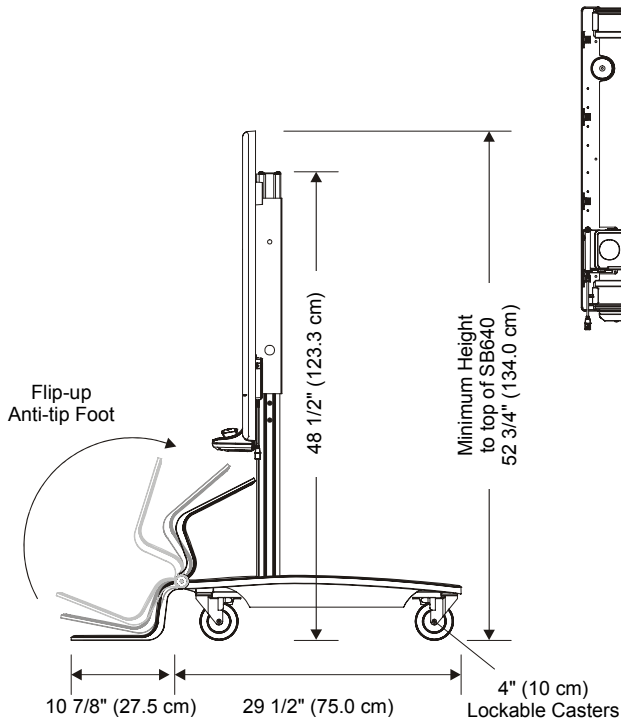
Physical dimensions



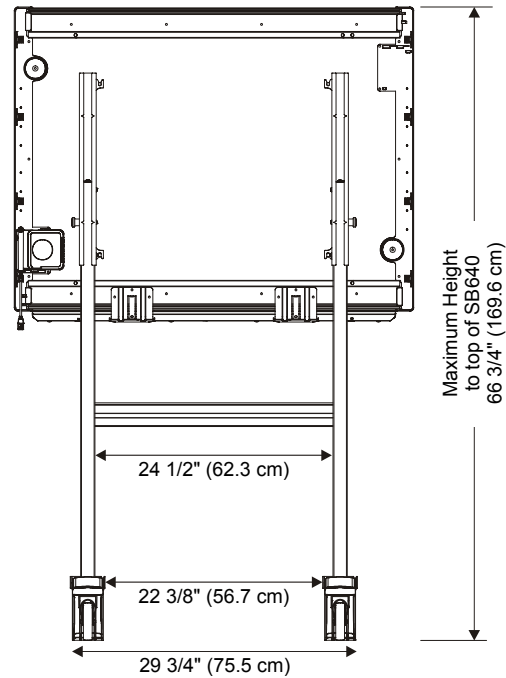
Wall Mounted Cut Away View

Wall Mounted Side View

Wall Mounted Front View



Floor Stand Mounted Side View (lowest position)



Floor Stand Mounted Back View (highest position)



www.smarttech.com/support www.smarttech.com/contactsupport
Support +1.403.228.5940 or Toll Free 1.866.518.6791 (U.S./Canada)

