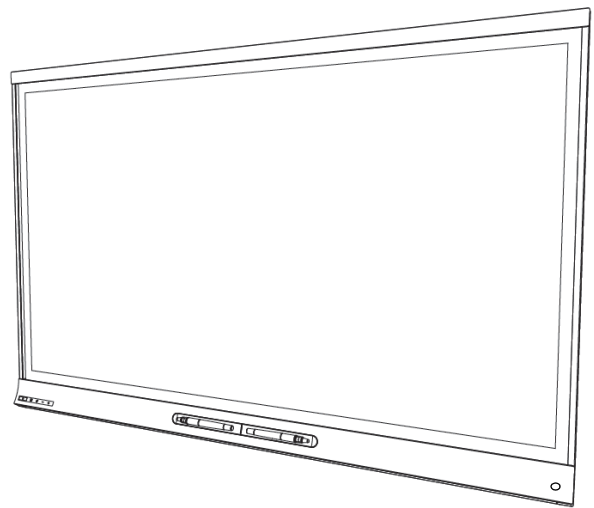


**SMART<sup>®</sup>**



***Service Parts  
Diagrams***

**For Model:  
SBID8065i-G5-SMP**

# Service Parts Diagrams Revision History

## Revision 1 - March, 2015

- New document

## Standard Warranty Terms

Base product: Two-year limited equipment warranty

First Customer Ship: February, 2015

---

**SMART Technologies**

3636 – Research Road NW

Calgary, AB T2L 1Y1

CANADA

Support +1.403.228.5940 or Toll Free 1.866.518.6791 (Canada/U.S.)

Support Fax +1.403.806.1256

[www.smarttech.com/contactserviceparts](http://www.smarttech.com/contactserviceparts) [www.smarttech.com](http://www.smarttech.com)

The SMART logo consists of the word "SMART" in a bold, black, sans-serif font. The letters are slightly stylized, with the 'S' and 'M' having a more rounded appearance. A registered trademark symbol (®) is located at the bottom right of the 'T'.

# Service Parts Diagrams for the SBID8065i-G5-SMP

---

- Identifying Your Product Using the Serial Number ..... 1
- Ordering Parts ..... 1
- SBID8065i-G5-SMP Parts ..... 3
- Optional Wall Mount (Part No. WM-SBID-501) ..... 4
- Optional Wall Stand Kit for Single Integrated Flat Panel (Part No. WSK-SINGLE) ..... 5
- Optional Wall Stand Kit for Dual Integrated Flat Panels (Part No. WSK-DUAL) ..... 6



## Identifying Your Product Using the Serial Number

To make sure that you have the correct service parts diagrams, you must verify the serial number of your SBID8065i-G5-SMP. The serial number will be located on the right underside of the bottom bezel. An example of the serial number format is shown below.



Serial Number Location

Unique Serial Number

**K012GW49P0026**

## Ordering Parts

### Customers

To order any of the parts in these service parts diagrams, contact your local reseller.  
To find a reseller near you, visit [www.smarttech.com/where](http://www.smarttech.com/where).

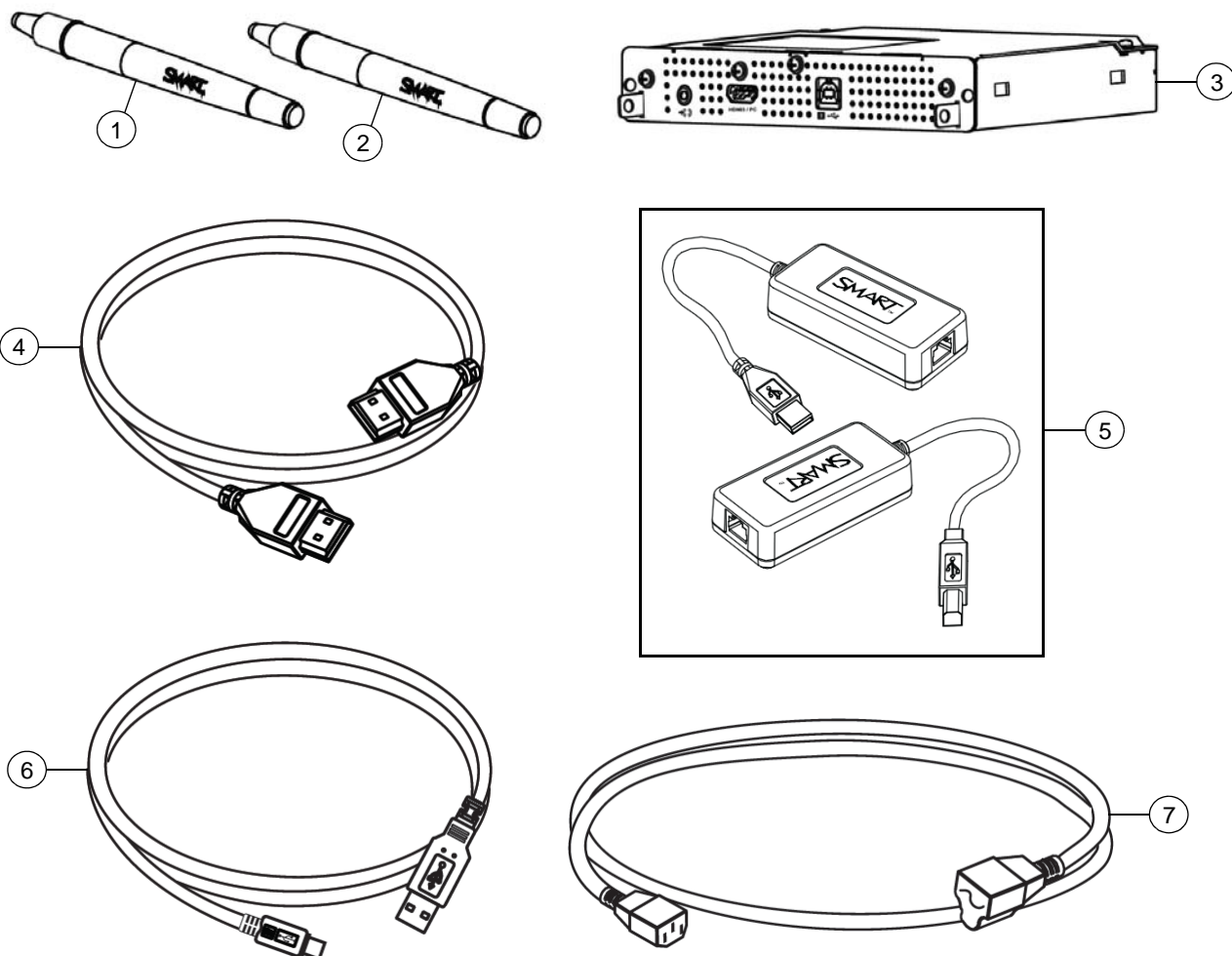
### Dealers and Distributors

For specific technical and pricing enquiries in regards to these diagrams please contact our service parts department.  
Pricing is also available on-line via the SOURCE website ([source.smarttech.com](http://source.smarttech.com)).

Web Form: [www.smarttech.com/contactserviceparts](http://www.smarttech.com/contactserviceparts)  
Phone: 1.888.42.SMART  
International: +1.403.245.0333

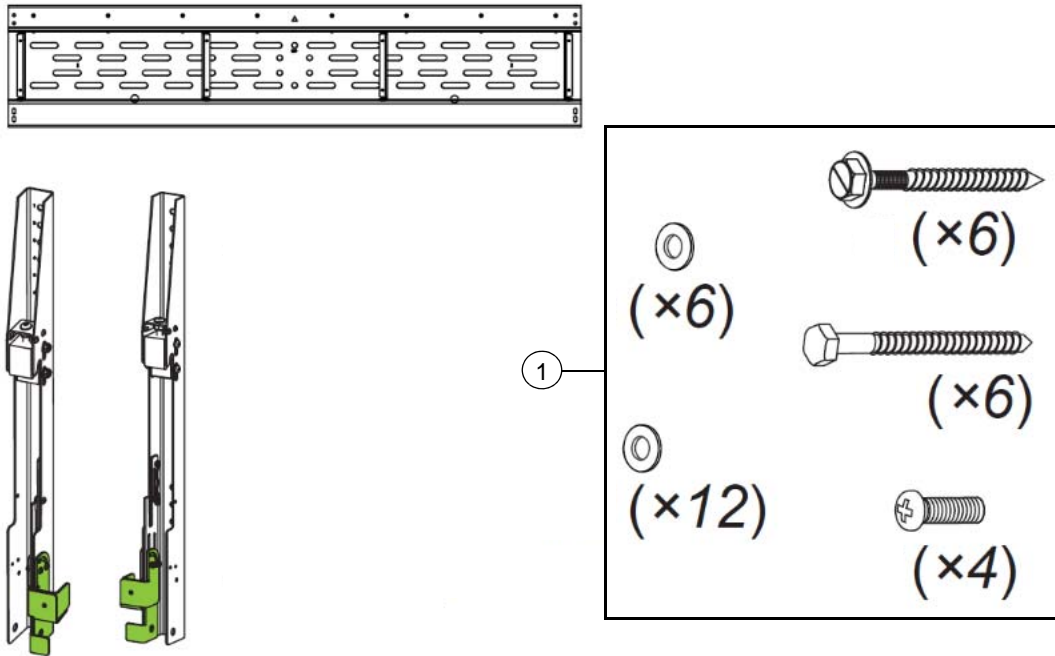


## SBID8065i-G5-SMP Parts



Item	Part No.	Qty	Description
1	1025924	1	Replacement Pen for SPNL-6000 Series and SBID8000-G5 Series - Red
2	1025925	1	Replacement Pen for SPNL-6000 Series and SBID8000-G5 Series - Black
3	SBID-G4-XTM	1	FRU, XTM (Slave Panel Interface Board, SPIB), SBID-G4
4	1019416	1	Cable, HDMI male to HDMI male, 20' 8" (6.3 m)
5	CAT5-XT-1100	1	CAT 5 to USB Extender, CAT5 Cable not included
6	93-00828-20	1	Cable, USB, A-B, 16' (5.0 m)
7	1022063	1	Cable, power, North America, 8' (2.4 m)
7	93-055	1	Cable, power, United Kingdom, 8' (2.4 m)
7	93-056	1	Cable, power, Australia, 8' (2.4 m)
7	93-054	1	Cable, power, Europe, 8' (2.4 m)
7	93-00708-20	1	Cable, power, China, 8' (2.4 m)
7	93-00654-20	1	Cable, power, Japan, 8' (2.4 m)

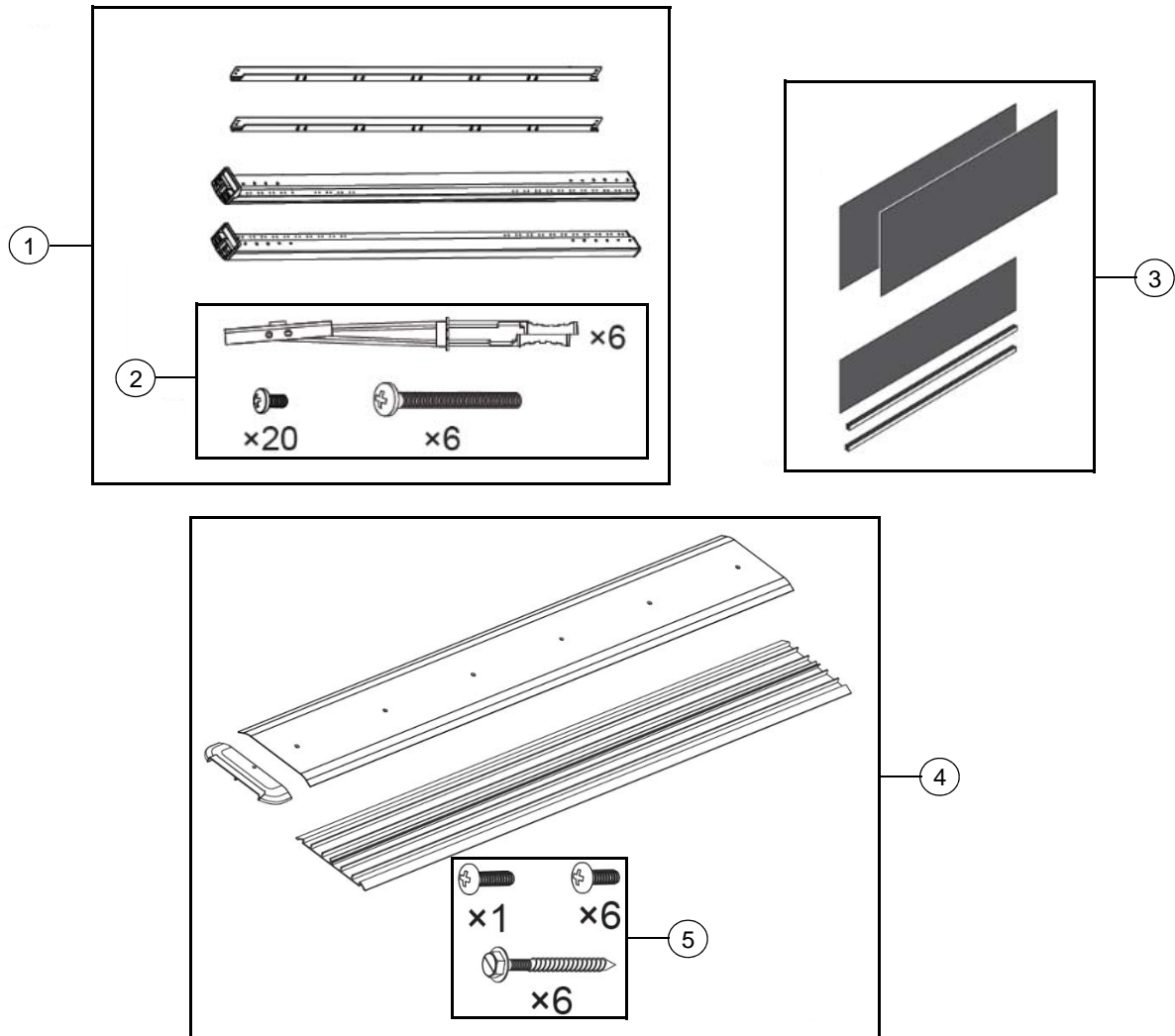
## Optional Wall Mount (Part No. WM-SBID-501)



Item	Part No.	Qty	Description
1	1022216	1	Assembly, hardware, kit, WM-SBID-501/502

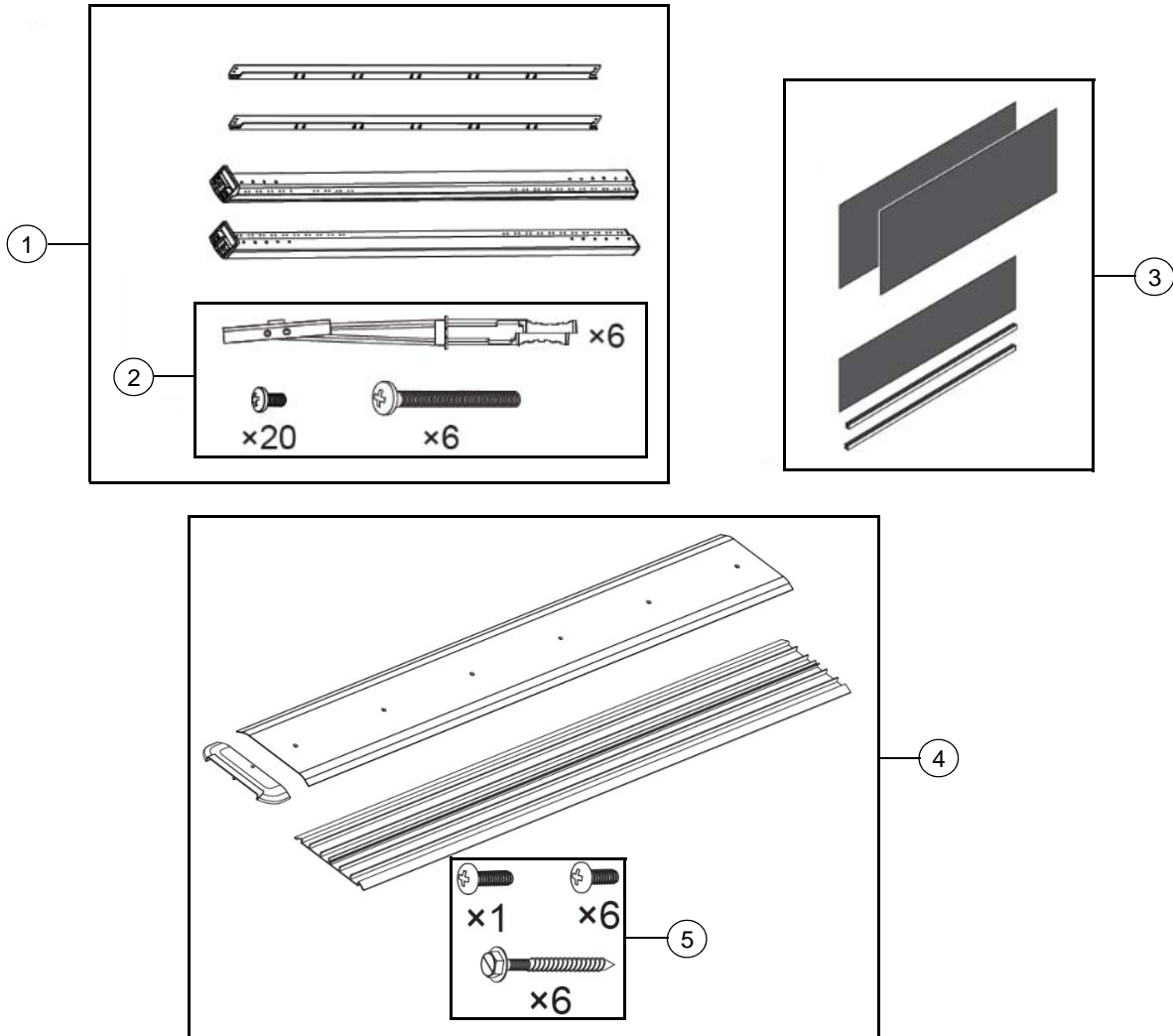


## Optional Wall Stand Kit for Single Integrated Flat Panel (Part No. WSK-SINGLE)



Item	Part No.	Qty	Description
1	1020547	1	Assembly, uprights, wall stand <b>NOTE:</b> Includes item 2.
2	1021347	1	Assembly, hardware, kit, WS-SBID-500
3	1020546	2	Assembly, panel, wall stand
4	1018900	1	Assembly, cable raceway, RW-500 <b>NOTE:</b> Includes item 5.
5	1021406	1	Assembly, hardware, kit, RW-500

## Optional Wall Stand Kit for Dual Integrated Flat Panels (Part No. WSK-DUAL)



Item	Part No.	Qty	Description
1	1020547	2	Assembly, uprights, wall stand <b>NOTE:</b> Includes item 2.
2	1021347	2	Assembly, hardware, kit, WS-SBID-500
3	1020546	4	Assembly, panel, wall stand
4	1018900	1	Assembly, cable raceway, RW-500 <b>NOTE:</b> Includes item 5.
5	1021406	1	Assembly, hardware, kit, RW-500