



SMART[®]



Service Parts Diagrams

**For Model:
SBID8070i-G4-SMP**

Service Parts Diagrams Revision History

Revision 1 - July, 2013

- New document

Revision 2 - Oct, 2013

- Add FRU-SBID-G4-CSM
- Change 1020749 to GW-MPPE

Revision 3 - January, 2014

- Change 93-051 to 1022063
- Add 93-00708-20, 93-00654-20, WM-SBID-501, WSK-SINGLE and WSK-DUAL

Revision 4 - July, 2014

- Add FRU-SBID-G4-CAM-A and FRU-SBID-G4-CAM-B

Revision 5 - November, 2014

- Add compatibility notes for FRU-SBID-G4-CSM

Standard Warranty Terms

Base product: Two-year limited equipment warranty

First Customer Ship: July, 2013

SMART Technologies

3636 – Research Road NW

Calgary, AB T2L 1Y1

CANADA

Support +1.403.228.5940 or Toll Free 1.866.518.6791 (Canada/U.S.)

Support Fax +1.403.806.1256

www.smarttech.com/contactserviceparts www.smarttech.com

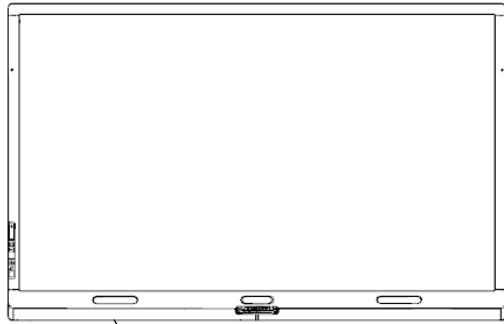
The SMART logo consists of the word "SMART" in a bold, stylized, sans-serif font. The letters are black with a white outline, and a registered trademark symbol (®) is located at the bottom right of the letter "T".

Service Parts Diagrams for the SBID8070i-G4-SMP

- Identifying Your Product Using the Serial Number 1
- Ordering Parts 1
- SBID8070i-G4-SMP Parts 2
- Optional Wall Mount, SBID8055i and SBID8070i-G4 (Part No. WM-SBID-501) 4
- Optional Wall Stand Kit for Single Integrated Flat Panel (Part No. WSK-SINGLE) 5
- Optional Wall Stand Kit for Dual Integrated Flat Panels (Part No. WSK-DUAL) 6

Identifying Your Product Using the Serial Number

To make sure that you have the correct service parts diagrams, you must verify the serial number of your SBID8070i-G4. The serial number will be located on the left underside of the pen ledge. An example of the serial number format is shown below.



Serial Number Location

Unique Serial Number

K012FW29F0073

Ordering Parts

Customers

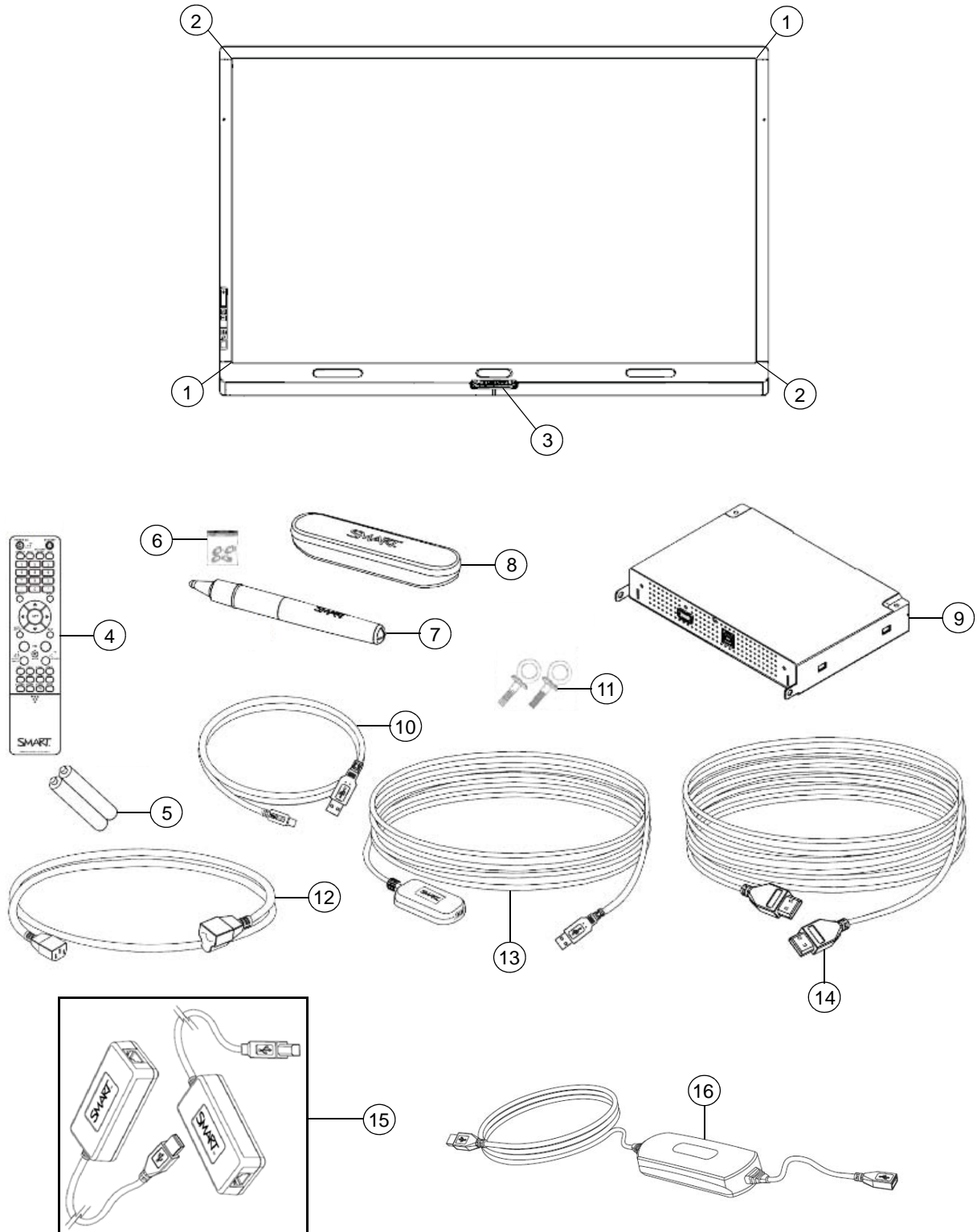
To order any of the parts in these service parts diagrams, contact your local reseller. To find a reseller near you, visit www.smarttech.com/where.

Dealers and Distributors

For specific technical and pricing enquiries in regards to these diagrams please contact our service parts department. Pricing is also available on-line via the SOURCE website (source.smarttech.com).

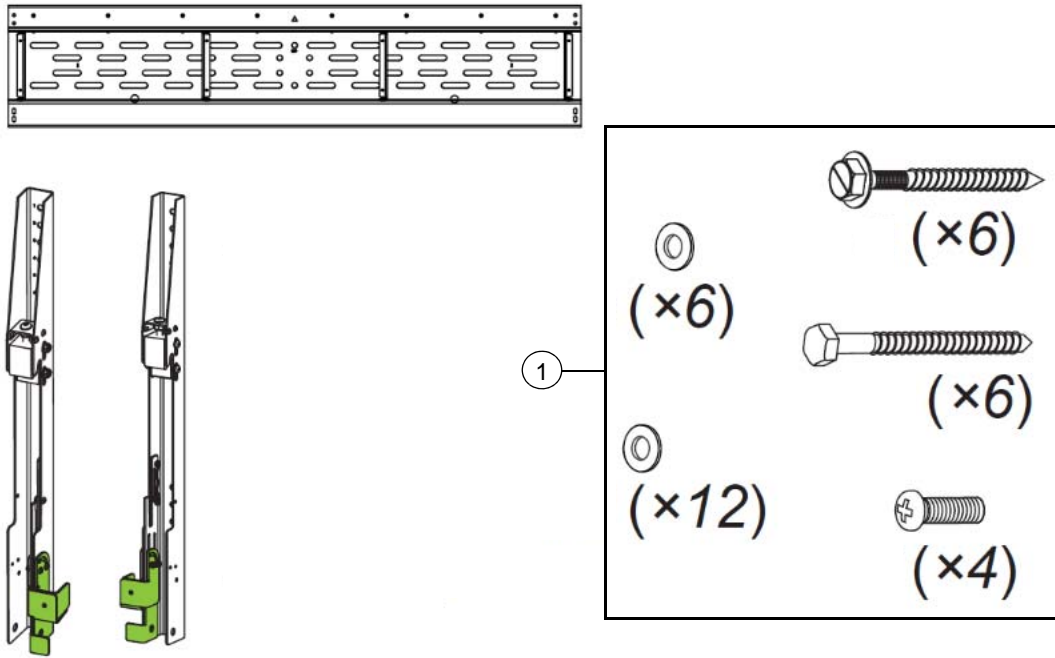
Web Form: www.smarttech.com/contactserviceparts
Phone: 1.888.42.SMART
International: +1.403.245.0333

SBID8070i-G4-SMP Parts



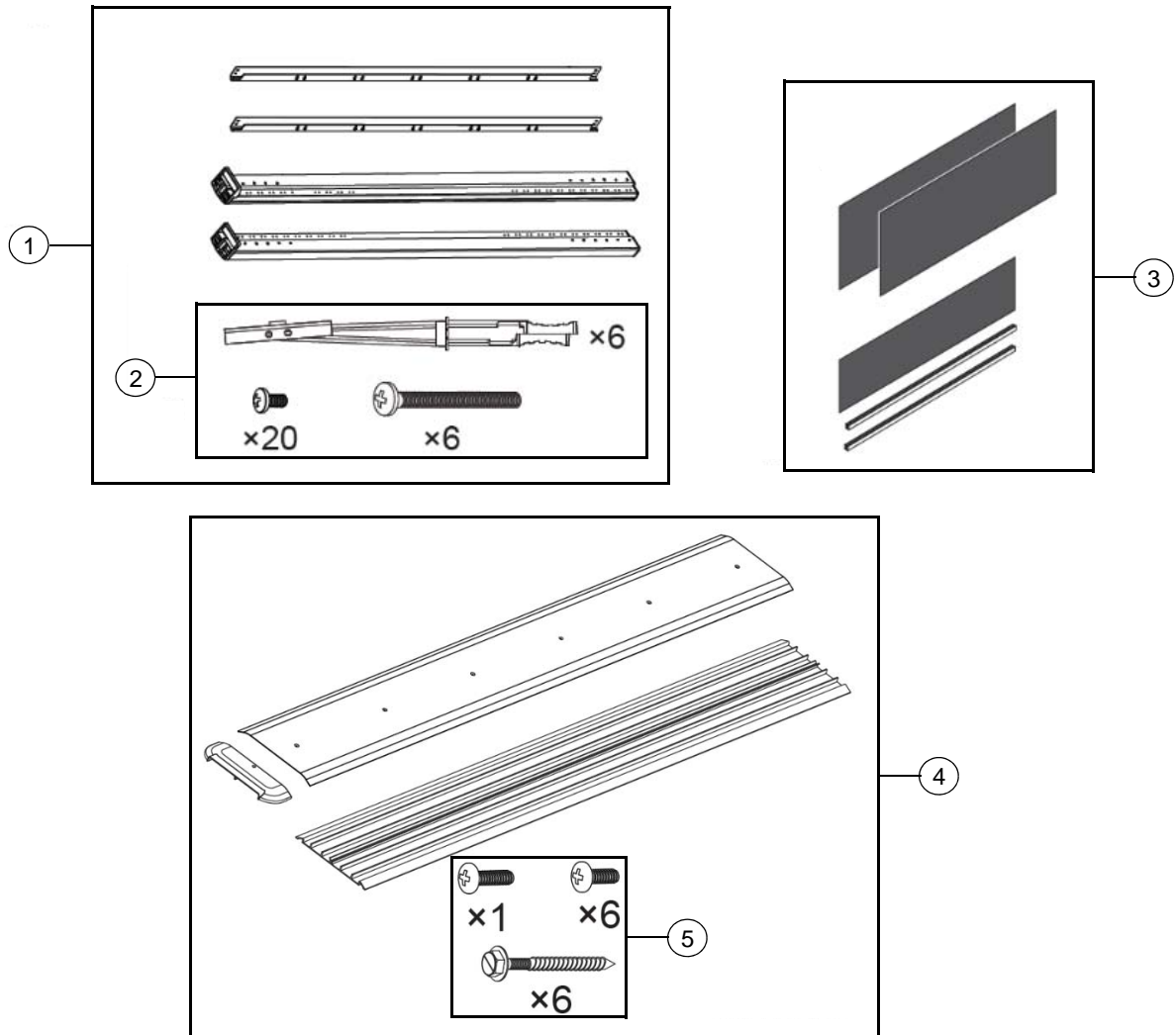
Item	Part No.	Qty	Description
1	FRU-SBID-G4-CAM-A	2	FRU, Camera A, SBID-G4, Position 0 and 2
2	FRU-SBID-G4-CAM-B	2	FRU, Camera B, SBID-G4, Position 1 and 3
3	FRU-SBID-G4-CSM	1	FRU, Color Select Module (CSM), SBID-G4, Revision 1 NOTE: This is compatible with the following serial number sequences: <p style="text-align: center;">The fifth character is the letter "G" and the seventh/eighth character is the number "41" or lower (example K012<u>G</u><u>W</u>41F0001).</p> <p style="text-align: center;">OR</p> <p style="text-align: center;">The fifth character is the letter "F" or lower in the alphabet (example K012<u>F</u>W01F0001).</p>
4	1020371	1	Assembly, remote control, SBID8070i-G4
5	01-00257	2	Battery, AAA
6	FRU-NIB-SBID	1	Replacement Nibs for the SMART Board Interactive Display Pen - Set of Four
7	RPEN-SBID	2	Assembly, stylus NOTE: Includes set of four spare pen nibs (item 5).
8	RERASER-SBID	1	Assembly, eraser
9	SBID-G4-XTM	1	FRU, XTM (Slave Panel Interface Board, SPIB), SBID-G4
10	1019521	1	Cable, USB, A-B, 4' 3" (1.3 m)
11	30-01448-20	2	Eye bolt NOTE: Required only when lifting the display.
12	1022063	1	Cable, power, North America, 8' (2.4 m)
12	93-055	1	Cable, power, United Kingdom, 8' (2.4 m)
12	93-056	1	Cable, power, Australia, 8' (2.4 m)
12	93-054	1	Cable, power, Europe, 8' (2.4 m)
12	93-00708-20	1	Cable, power, China, 8' (2.4 m)
12	93-00654-20	1	Cable, power, Japan, 8' (2.4 m)
13	USB-XT	1	USB active extension cable 16' (5.0 m)
14	1019416	1	Cable, HDMI male to HDMI male, 20' 8" (6.3 m)
15	CAT5-XT-1100	1	CAT 5 to USB Extender, CAT5 Cable not included
16	GW-MPPE	1	SMART GoWire auto-launch cable with Meeting Pro Personal Edition

Optional Wall Mount, SBID8055i and SBID8070i-G4 (Part No. WM-SBID-501)



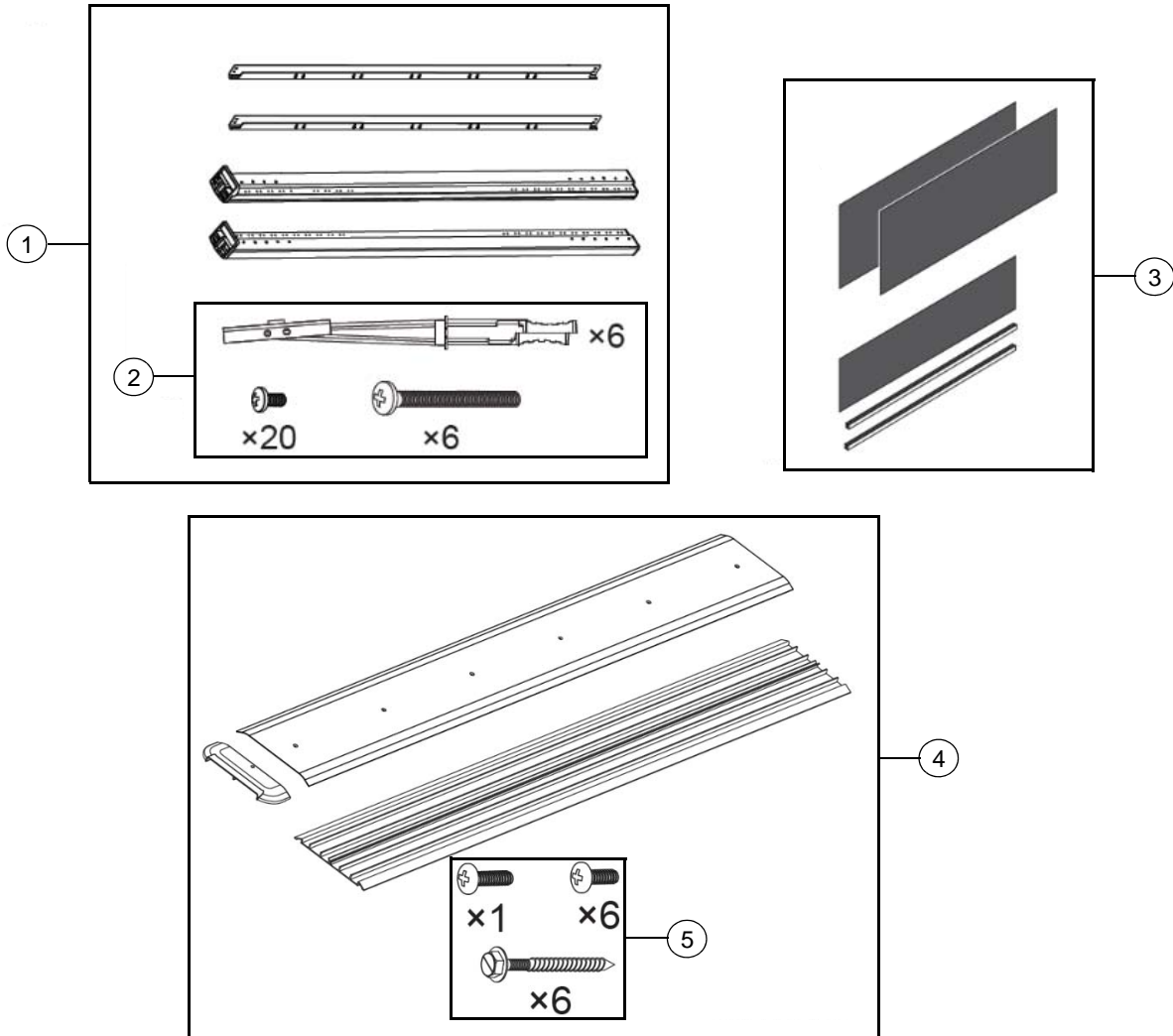
Item	Part No.	Qty	Description
1	1022216	1	Assembly, hardware, kit, WM-SBID-501/502

Optional Wall Stand Kit for Single Integrated Flat Panel (Part No. WSK-SINGLE)



Item	Part No.	Qty	Description
1	1020547	1	Assembly, uprights, wall stand NOTE: Includes item 2.
2	1021347	1	Assembly, hardware, kit, WS-SBID-500
3	1020546	1	Assembly, panel, wall stand
4	1018900	1	Assembly, cable raceway, RW-500 NOTE: Includes item 5.
5	1021406	1	Assembly, hardware, kit, RW-500

Optional Wall Stand Kit for Dual Integrated Flat Panels (Part No. WSK-DUAL)



Item	Part No.	Qty	Description
1	1020547	2	Assembly, uprights, wall stand NOTE: Includes item 2.
2	1021347	2	Assembly, hardware, kit, WS-SBID-500
3	1020546	2	Assembly, panel, wall stand
4	1018900	1	Assembly, cable raceway, RW-500 NOTE: Includes item 5.
5	1021406	1	Assembly, hardware, kit, RW-500