

DLA series DLA206

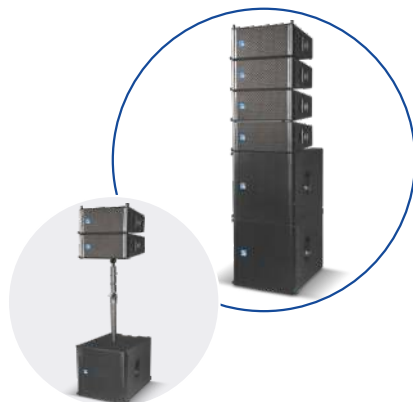
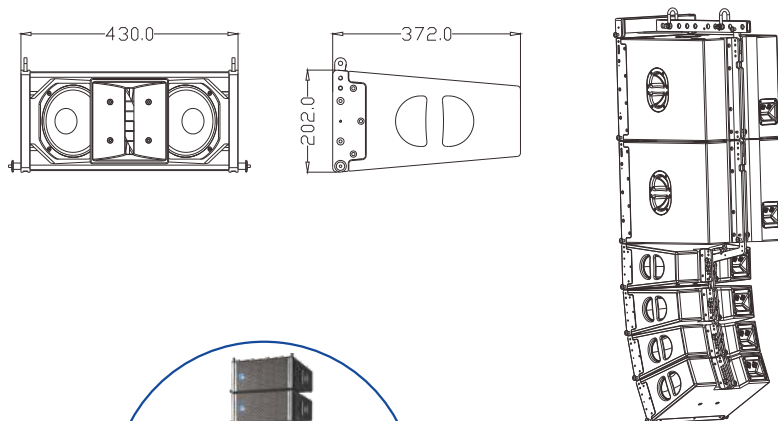
Line Array System



DLA206 is a small-sized, light weight line array speaker. It features low distortion mid-bass unit, high quality HF driver with special waveguide and horn, accurate coverage, uniform changes, three-point hanging system and left & right symmetrical design complement each other, the whole system installation is fast, stable and safe. Unit configuration: 2x6" high efficiency neodymium mid-bass units, 1x1" exit throat 44mm voice coil neodymium HF driver. The cabinet is made of multilayer composite plywood with wear-resistant polyurea paint.

DLA206是一款小型线性阵列音箱，具有体积小、重量轻等特点，应用低失真中低音单元，高品质高音驱动器，配上专用波导管及号角。覆盖精确，变化均匀。三点吊挂系统安装快捷、稳定、安全。单元配置：2只6"高效率钕磁中低音单元，1只1"喉口44芯钕磁高音驱动器；箱体采用多层复合夹板，耐磨聚脲喷涂。

CONFIGURATION



FEATURES

- Special designed waveguide and horn, ensure accurate coverage angle and uniform changes
- Passive way, simple operation, save amplifiers
- Quick setup for hanging, stacking and supporting
- Applications: multifunction halls, lecture halls, auditoriums, churches, and small touring

系统特征

- 专门设计的波导管及号角：保证覆盖角度精准，变化均匀
- 内置分音：操作简单，节省功放及周边设备
- 多种组合使用方式：吊挂、堆码、支撑，安装快捷、安全

适用范围

- 多功能厅、报告厅、礼堂、教堂
- 小型流动演出

MODEL
FREQUENCY RESPONSE(-3dB)
FREQUENCY RESPONSE(-10dB)
DRIVERS

RATED POWER
SENSITIVITY
MAXIMUM SPL
IMPEDANCE
DISPERSION(-6dB)

CROSSOVER FREQUENCIES
INPUT CONNECTORS
PACKAGE SIZE
NET WEIGHT
GROSS WEIGHT

DLA206
 90Hz-18kHz
 85Hz-20kHz
 2×6"(150mm)/1.5"voice coil LF
 1×1"(25mm)/1.7"voice coil HF
 160W RMS,640W peak
 96dB 1watt/1meter
 118dB continuous,124 dB peak
 16 ohms nominal
 Horizontal coverage: 100°
 Vertical coverage: Varies, depending on array length and configuration
 1.1kHz passive
 2×Speakon NL4
 452mm×280mm×515mm
 9 kg/pc
 11 kg/pc