

SAVANT

Micro Aperture 4 Pre-construction Bracket and Flush Mount Kit (MRS-4-PCB | MRS-4-FMK) Install Guide

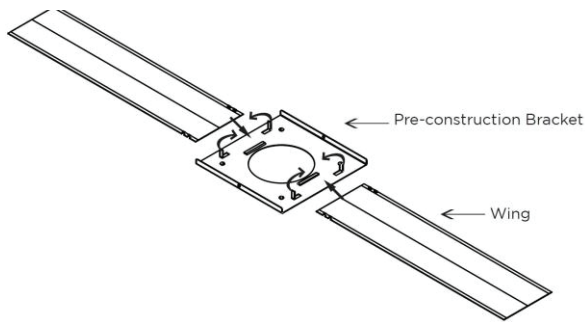
Overview

The MRS-4-PCB bracket for new construction can be nailed, stapled, or screwed to joists before drywall is cut and installed. The mesh metal wings will accommodate up to 24-inch (610mm) on-center installations. It can be used with all Savant Micro Aperture 4 Speakers.

The MRS-4-FMK Flush Mount Kit is used with installations requiring a flush aesthetic that identically matches round or square trim-less downlights. It is used in conjunction with the MRS-4-PCB pre-construction bracket (sold separately).

Box Contents MRS-4-PCB

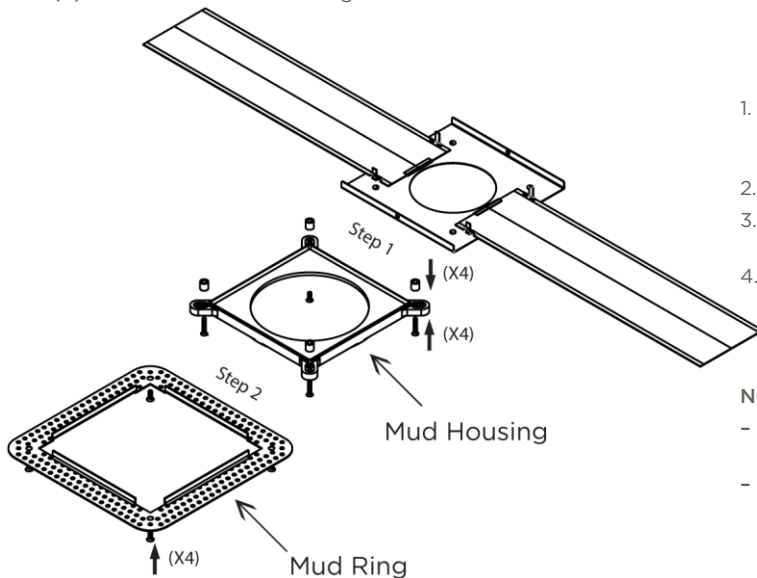
- (4) Mesh Wings
- (2) Pre-construction Brackets



1. Push wings into place (x2).
2. Once in place, fold tabs on pre-construction bracket down (x4).

Box Contents MRS-4-FMK

- (2) Mud Ring
- (2) Mud Housing
- (2) Install Kit
 - (4) Spacers for 1/2" drywall
 - (4) Spacers for 5/8" drywall
 - (4) Long Screws, 20 mm length M3
 - (4) Short Screws, 6 mm Length M3



1. Before drywall, install the mud housing to the pre-construction bracket using the spacers (x4), and long (20 mm) screws (x4). (See Notes).
2. Install combined assembly same as above MRS-4-PCB install.
3. After drywall, attach the mud ring using the short (6 mm) screws to the mud housing.
4. Mud over mesh up to mud wall on the housing. Sand smooth.

NOTES:

- The mud housing may be installed for the round or square speakers. Mount with the selected shape facing into the room.
- Select the proper spacer for your drywall finish.
 - 1/2" use 7 mm spacer.
 - 5/8" use 10 mm spacer