

# LS series LS525/LS800

## All-weather Landscape Speaker



LS series is specially designed for outdoor applications, strong weather resistance speaker, with ingenious, stylish, compact structure design, close to the ground or buried installation, full bass, bright mid-high, grass green can be integrated with the environment. The product has passed the IP56 test, and the coverage angle is 360°×90°. Unit configuration: 5" and 8" coaxial units, the cabinet is molded with grass-green engineering plastic material, which is resistant to collisions and scratches.

LS系列是专为户外应用，耐候性极强的音箱，巧妙、时尚、紧凑型结构设计，贴地或埋地安装，低音丰满、中高音明亮，草绿色可与环境融为一体。产品通过IP56测试，360°×90°覆盖角度。单元配置：5"、8"同轴单元，箱体采用草绿色工程塑胶材料模具成型，耐碰撞和刮花。

### FEATURES

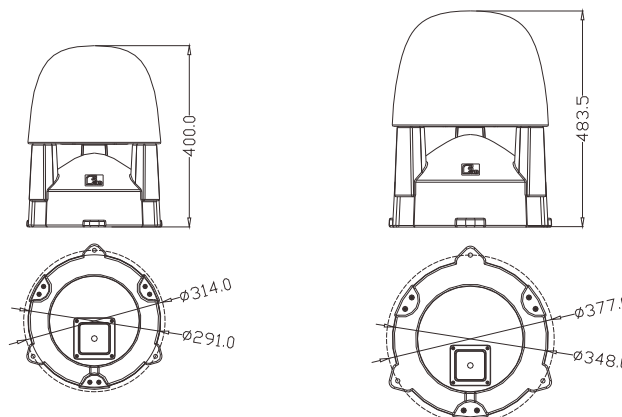
- Pass IP56 testing
- Engineering plastic mold forming box, strong weather resistance
- 360°×90° coverage angle
- Applications: green squares, pedestrian walkways, parks, hotel gardens, resorts, villa courtyards

### 产品特点

- 通过IP56测试
- 工程塑胶模具成型箱体,耐候性极强
- 360° × 90° 覆盖角度

### 适用范围

- 绿地广场、人行栈道、公园、酒店花园
- 度假村、别墅院落



#### MODEL

FREQUENCY RESPONSE(-3dB)

FREQUENCY RESPONSE(-10dB)

DRIVERS

INPUT VOLTAGE

RATED POWER

SENSITIVITY

MAXIMUM SPL

IMPEDANCE

DISPERSION(-6dB)

CROSSOVER FREQUENCIES

PACKAGE SIZE

NET WEIGHT

GROSS WEIGHT

#### LS525

65Hz-16KHz

55Hz-18kHz

1×5.25"(135mm)/1.5"voice coil LF

1×0.8"(20mm)/dome tweeter

100V

7.5W/15W/30W/OFF/8Ω

86dB 1watt/1 metre

100dB continuous,106 dB peak

8 ohms nominal

360°×90°

3.2kHz passive

405mm×405mm×500mm

6.5kg/pc

8.5kg/pc

#### LS800

60Hz-16KHz

50Hz-18kHz

1×8"(200mm)/1.5"voice coil LF

1×1"(25mm)/dome tweeter

100V

15W/30W/60W/OFF/8Ω

93dB 1watt/1 metre

110dB continuous,116 dB peak

8 ohms nominal

360°×90°

2.8kHz passive

470mm×470mm×585mm

9.5kg/pc

12kg/pc