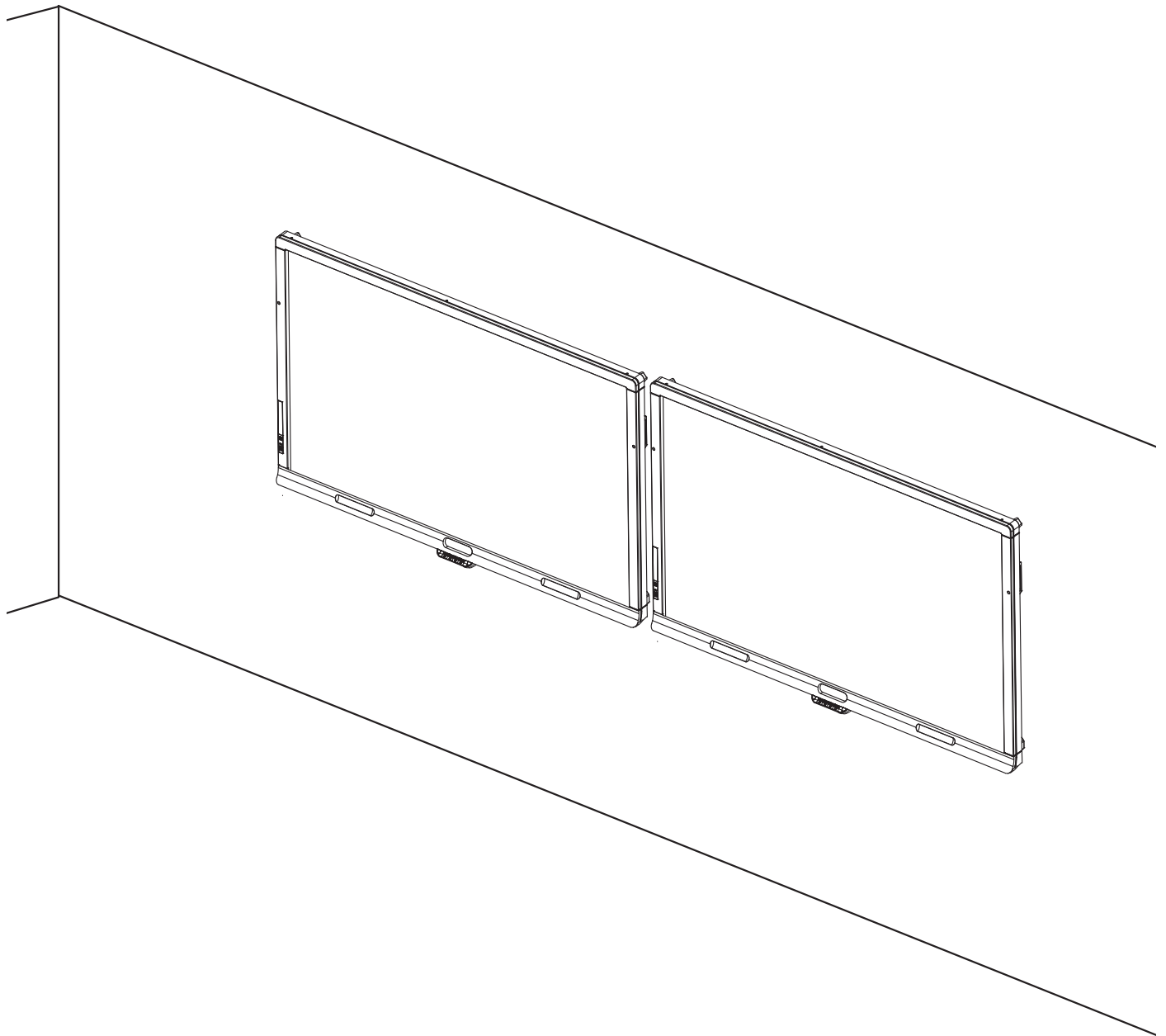


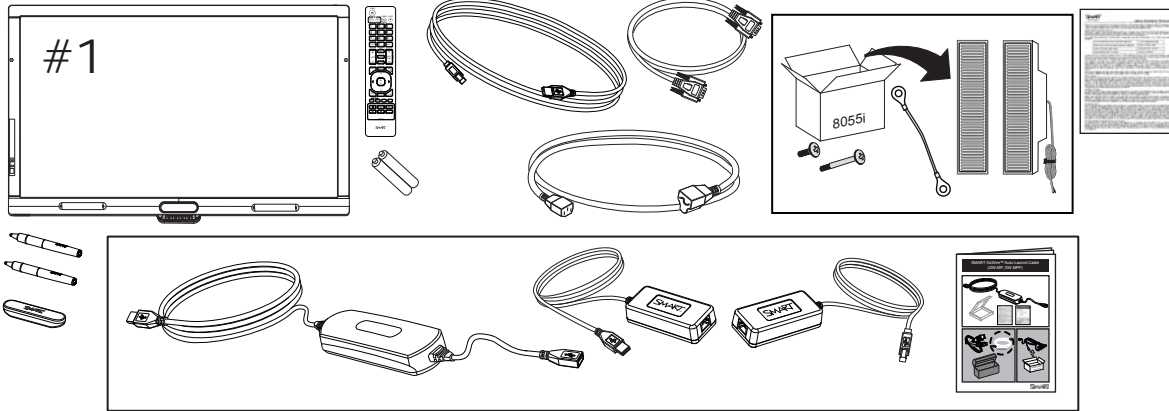
# SMART Board® 8055i dual panel installation

---

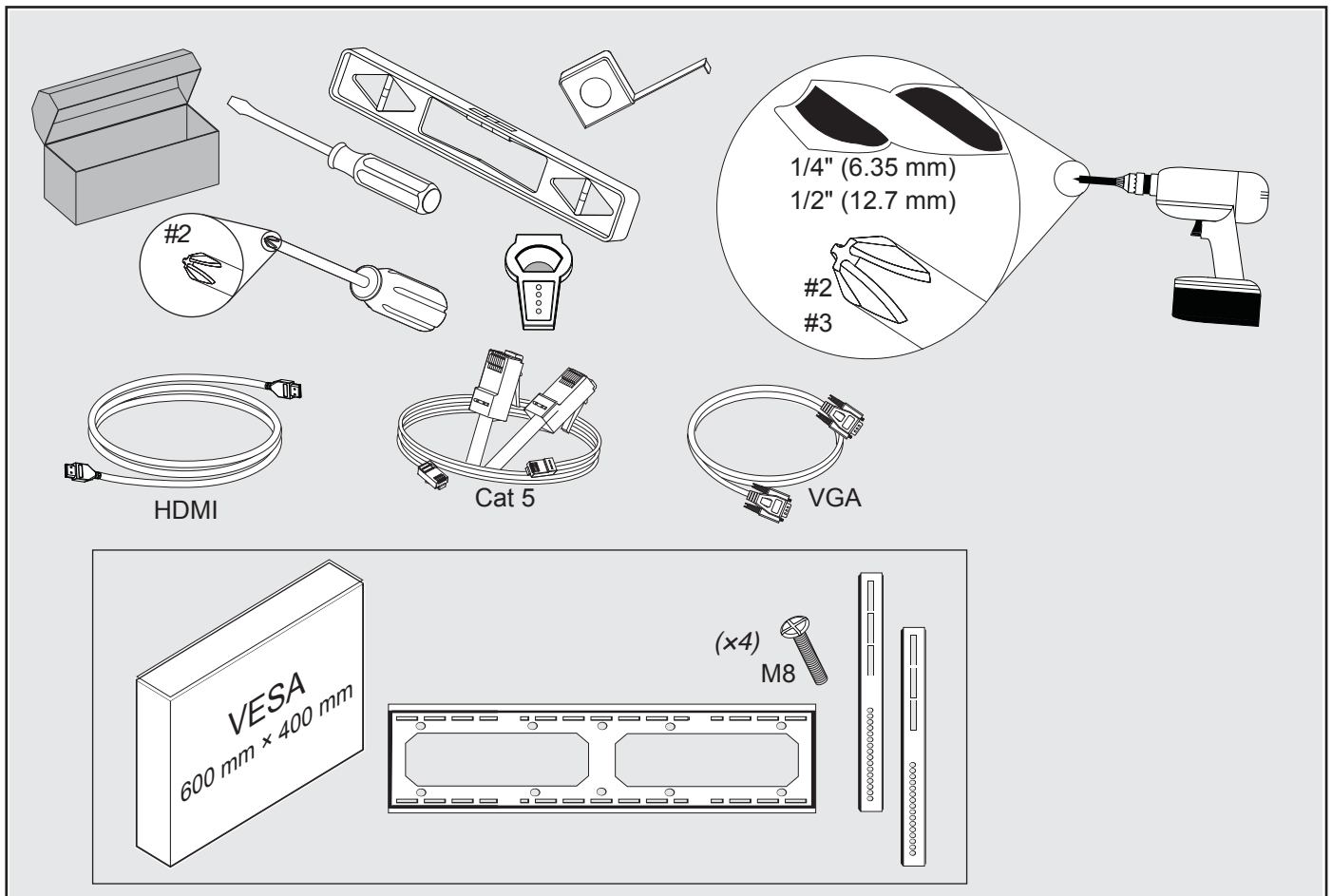
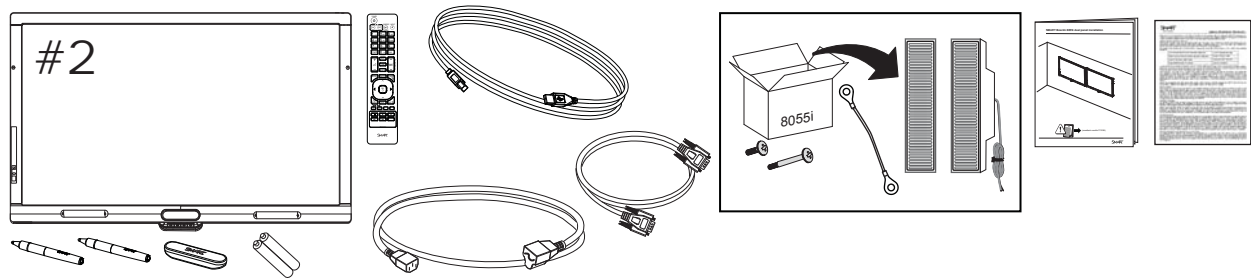


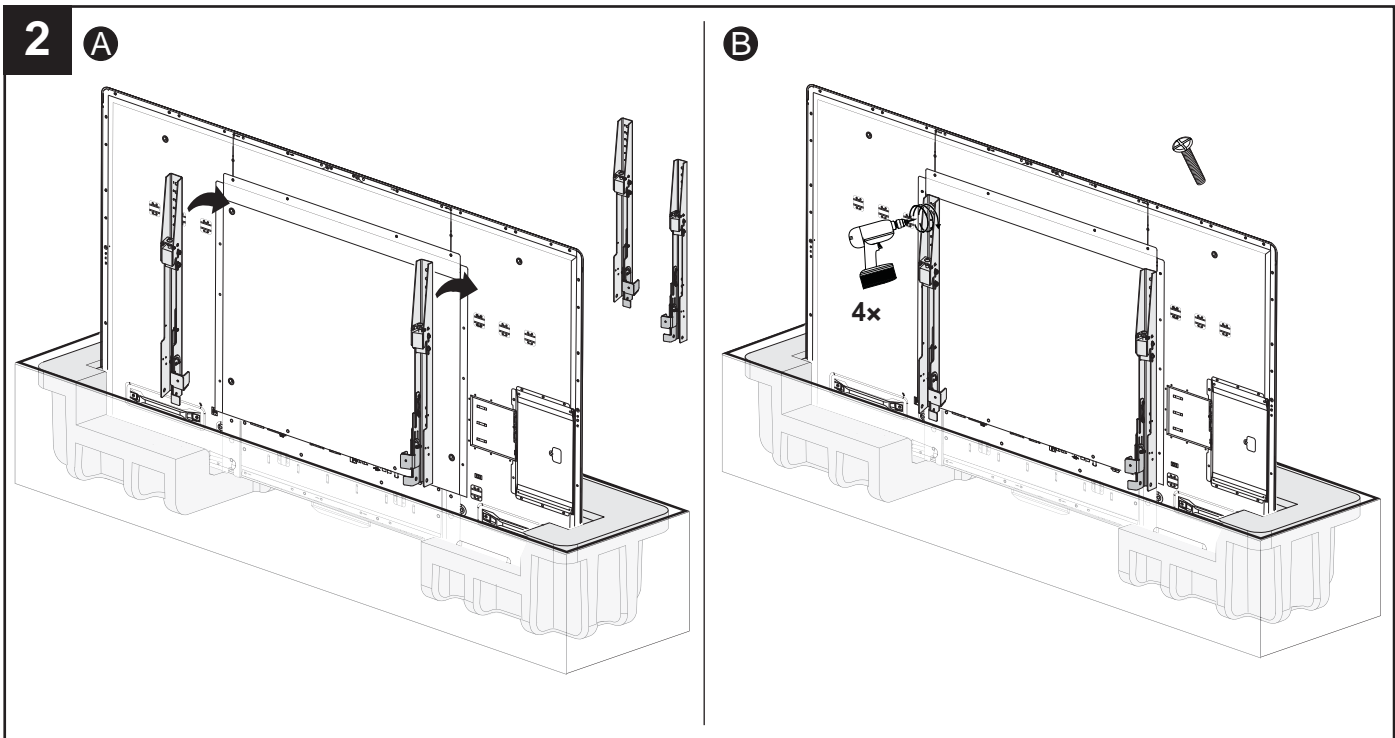
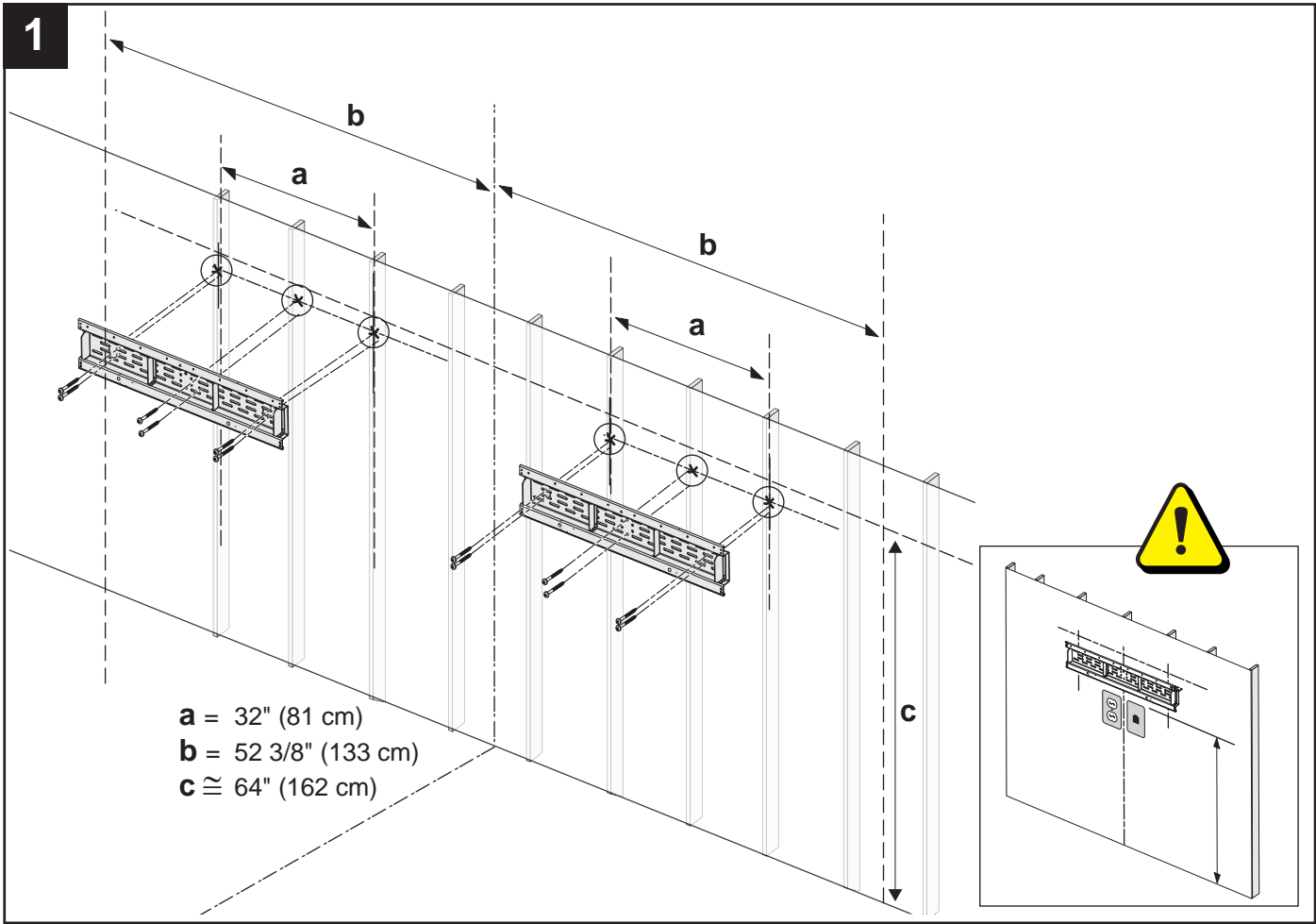
([smarttech.com/kb/170188](http://smarttech.com/kb/170188))

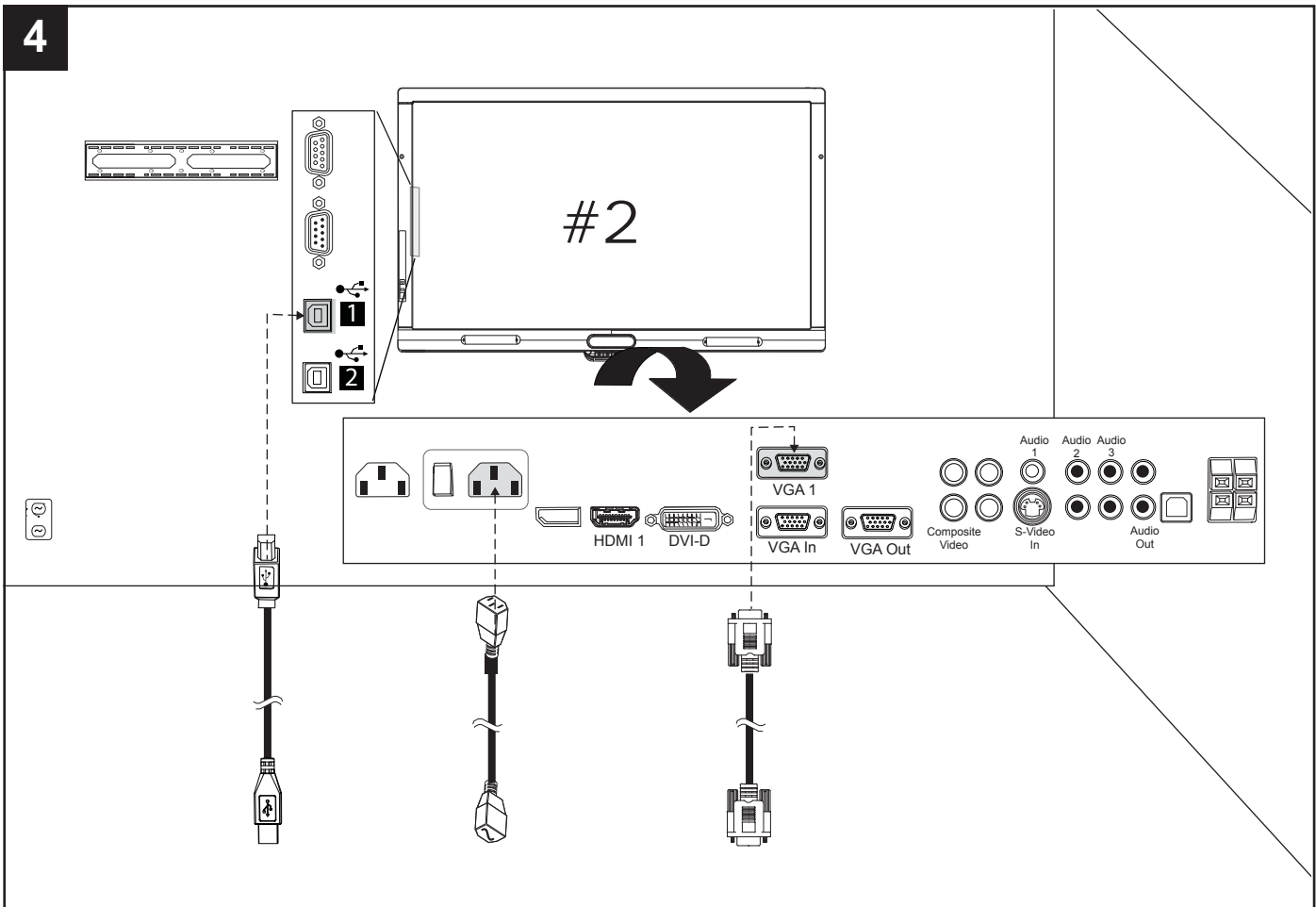
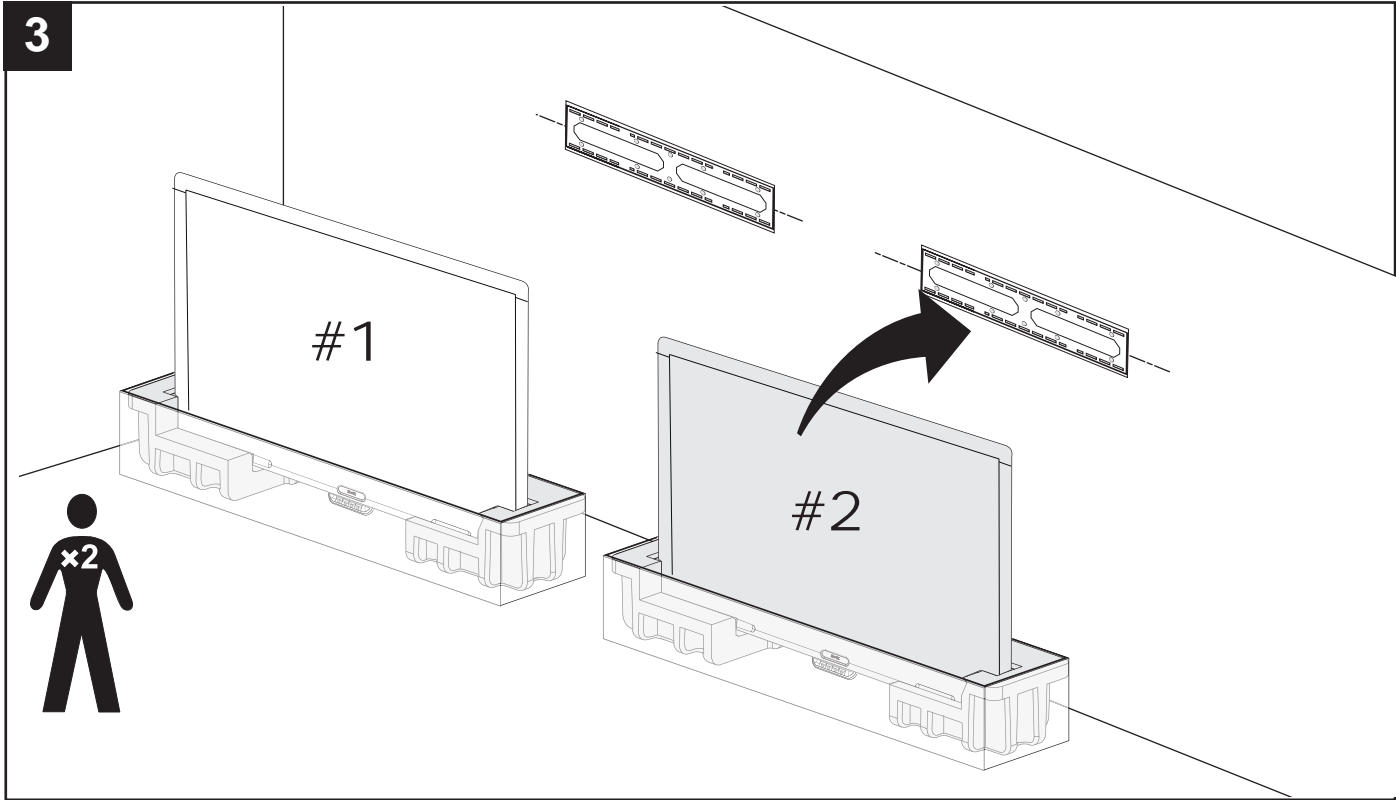
# SBID8055i-SMP

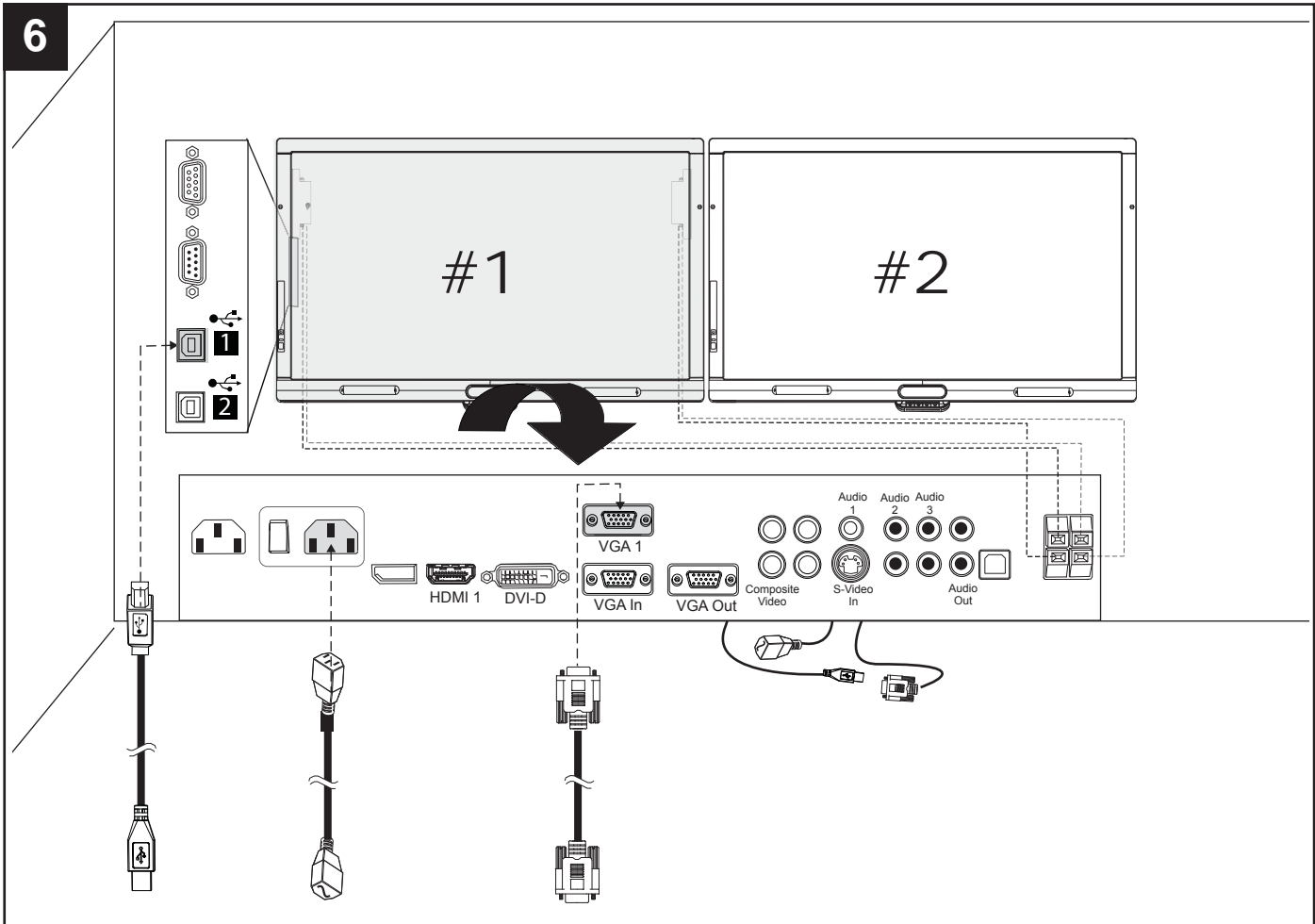
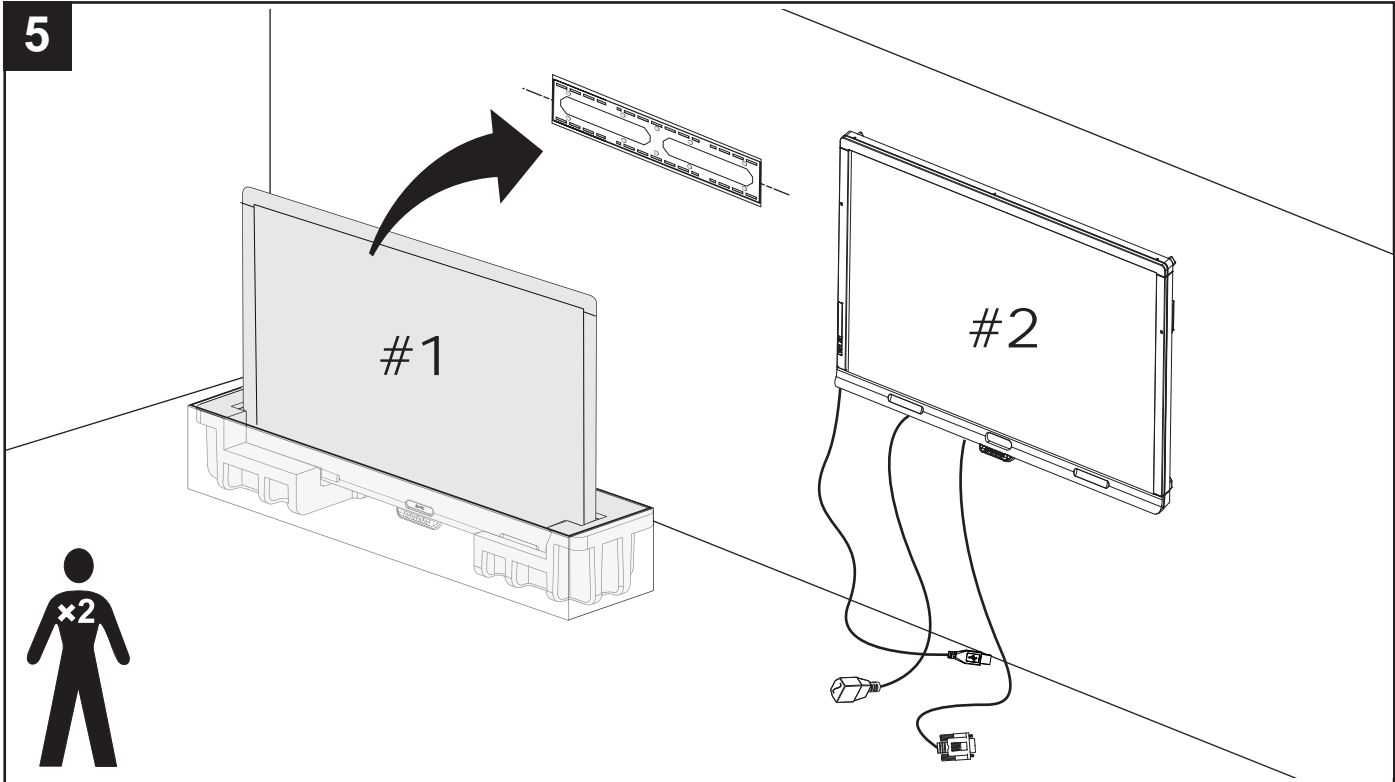


# SBID8055i - AddOn

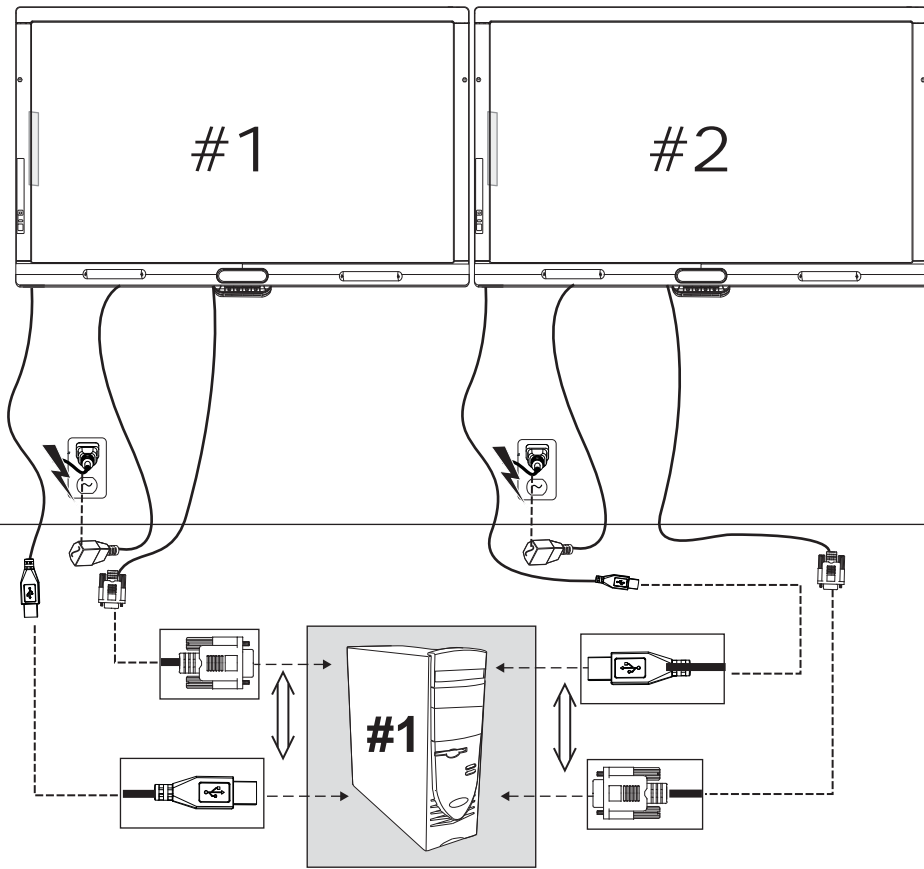




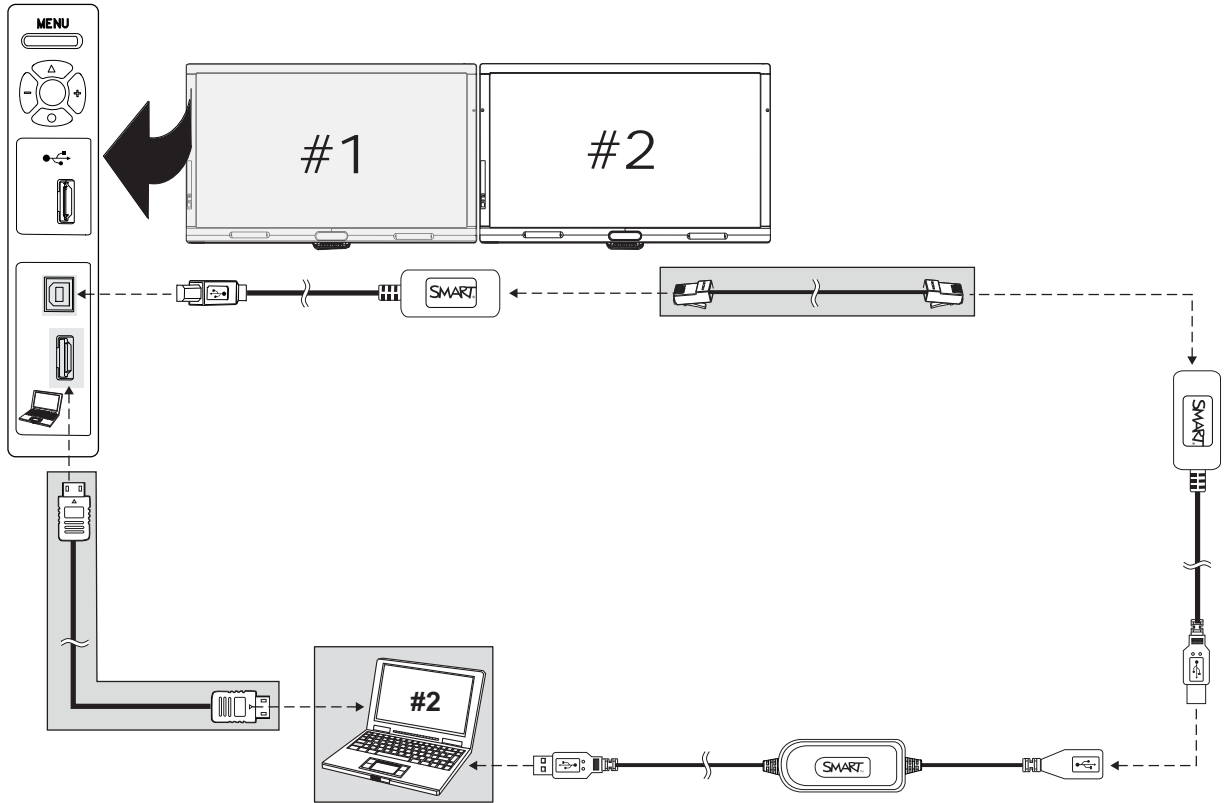


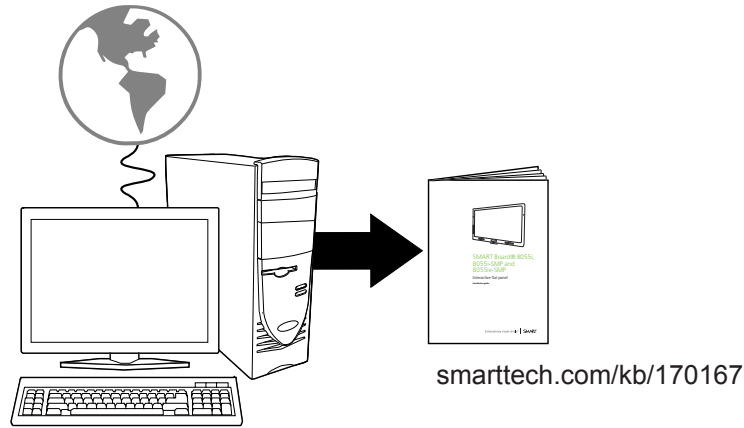


7



8





## Hardware environmental compliance

SMART Technologies supports global efforts to ensure that electronic equipment is manufactured, sold and disposed of in a safe and environmentally friendly manner.



### **Waste Electrical and Electronic Equipment and Battery regulations (WEEE and battery directive)**

Electrical and electronic equipment and batteries contain substances that can be harmful to the environment and to human health. The crossed-out wheeled bin symbol indicates that products should be disposed of in the appropriate recycling stream and not as regular waste.

### **Perchlorate Material**

Contains perchlorate material. Special handling may apply. See [dtsc.ca.gov/hazardouswaste/perchlorate](http://dtsc.ca.gov/hazardouswaste/perchlorate).

See [smarttech.com/compliance](http://smarttech.com/compliance) for more information



[smarttech.com/support](http://smarttech.com/support)  
[smarttech.com/contactsupport](http://smarttech.com/contactsupport)

**SMART**

1022598 Rev 01

© 2013 SMART Technologies ULC. All rights reserved. SMART Board, smarttech, the SMART logo and all SMART taglines are trademarks or registered trademarks of SMART Technologies ULC in the U.S. and/or other countries. All third-party products and company names may be trademarks of their respective owners. Contents are subject to change without notice.

This product and/or use thereof covered by one or more of the following U.S. patents. [www.smarttech.com/patents](http://www.smarttech.com/patents). 10/2013.

[smarttech.com/kb/170591](http://smarttech.com/kb/170591)