

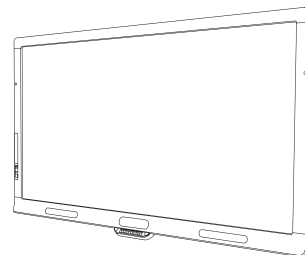
Specifications

SMART Board® interactive flat panel

Models 8055i and 8055i-SMP

Physical specifications

Size 52 3/8" W × 33 5/16" H × 5 7/16" D
(133 cm × 84.6 cm × 13.9 cm)
(See *Physical dimensions* on page 7 for detailed dimensions.)



All dimensions +/- 1/8" (0.3 cm).
All weights +/- 2 lb. (0.9 kg).

Active screen area (maximum interactive projected area) 54 5/8" (139 cm) diagonal, 16:9 aspect ratio
47 5/8" W × 26 3/4" H
(121 cm × 68 cm)

Weight

98 lb. (44.5 kg)

Shipping size

1 unit on a pallet 61 3/4" W × 43" H × 14 3/4" D (157 cm × 109 cm × 37.3 cm)
3 units on a pallet 61 3/4" W × 43" H × 43 3/16" D (157 cm × 109 cm × 110 cm)

Shipping weight

1 unit on a pallet 148 lb. (67 kg)
3 units on a pallet 400 lb. (181 kg)

SPECIFICATIONS

SMART Board interactive flat panel – Models 8055i and 8055i-SMP

Standard features

Touch technology	DViT® (Digital Vision Touch) technology uses digital cameras to track objects interacting with the surface. Cameras can recognize finger, pen and eraser touch.
Gestures	Supports multitouch gestures on computers with Windows® 7 operating systems and Mac OS X operating system software.
Orientation	The Orientation button on the color select module enables you to adapt the touch control to various screen resolutions.
Presence detection	<p>The interactive flat panel has two presence detection sensors on its frame that can detect people up to 16' (5 m) away when the interactive flat panel is in Standby mode.</p> <p>When the sensors detect motion in the room, the interactive flat panel turns on and displays a welcome screen and sounds a system chime. Touching the screen activates the interactive flat panel. When the sensors no longer detect people in the room, the interactive flat panel returns to Standby mode.</p> <p>Presence detection settings can be changed with the On Screen Display menu.</p>
Pen	The pen interacts with the interactive flat panel to draw digital ink. Buttons on the color select module enable you to select pen color. The bottom frame of the interactive flat panel has magnetic slots for the two included pens.
Eraser	The interactive flat panel has a magnet-mounted eraser.
Keyboard	You can connect a keyboard or press the Keyboard button on the color select module to use the on-screen keyboard.
Product help	The Help button on the color select module enables you to access product help.
Included hardware	<ul style="list-style-type: none">• Two speakers• 16' 5" (5 m) USB cable• VGA cable• 10 small clamps and 5 large clamps (for cable management)• Infrared remote control• Power cable• CAT 5 USB extender (SMART Board® 8055i-SMP interactive flat panels only)• SMART GoWire™ auto-launch cable with SMART Meeting Pro™ software (SMART Board 8055i-SMP interactive flat panels only)

SPECIFICATIONS

SMART Board interactive flat panel – Models 8055i and 8055i-SMP

Video and control inputs

Bottom terminal panel	<ul style="list-style-type: none">• S-Video• HDMI• VGA (×2)• DisplayPort
Inside terminal panel	<ul style="list-style-type: none">• USB B (×2)• Room control input• Room control output
Side terminal panel	<ul style="list-style-type: none">• USB A

NOTE

This can be disabled. See the *SMART Board 8055i, 8055i-SMP and 8055ie-SMP interactive flat panel user's guide* (smarttech.com/kb/170177) for more information.

- USB B
- HDMI
- AC power inlet
- AC power pass-through, for designated SMART products only

Power

Audio

specifications

Includes two 15 W speakers

External speaker terminals 10 W + 10 W into 8 Ω of resistance

- | | |
|--------------|---|
| Audio inputs | <ul style="list-style-type: none">• USB• Dual RCA jacks (× 2)• 3.5 mm jack• HDMI |
|--------------|---|

Audio output	Dual RCA jacks (× 2)
--------------	----------------------

Screen specifications

Pixel pitch	0.63 mm
Contrast ratio	2800:1
Brightness	Maximum 450 cd/m ²

SPECIFICATIONS

SMART Board interactive flat panel – Models 8055i and 8055i-SMP

Horizontal frequency	14–96 kHz (analog and digital)
Vertical frequency	24–85 Hz
Optimum resolution	1920 × 1080 at 60 Hz
Hardware warranty	Two-year limited equipment warranty
LCD pixel policy	See knowledgebase.force.com/articles/TROUBLESHOOTING/Limited-pixel-warranty-for-SMART-Board-8000i-series-interactive-flat-panels

Installation requirements

- The interactive flat panel must be installed by trained professional installers.
- Your installers require a standard VESA® 400 mm × 600 mm mounting plate (not included) to wall-mount the interactive flat panel. The wall-mount bracket must have minimum depth of 14 mm to ensure sufficient space for speakers.
- Ensure the wall and mounting system can support the product's weight.

Computer requirements

You need to connect a computer to the interactive flat panel. Choose one of the following:

SMART Board 8055i-SMP interactive flat panel	<ul style="list-style-type: none">• A computer with a Windows operating system and SMART Meeting Pro installed. For a complete list of computer requirements, see the SMART Meeting Pro software release notes available at smarttech.com/downloads.• A laptop with a Windows operating system that doesn't have SMART Meeting Pro software installed. You can connect this laptop to the interactive flat panel using the included SMART GoWire cable with SMART Meeting Pro software. For a complete list of computer requirements, see the SMART GoWire cable specifications (smarttech.com/kb/151506).
SMART Board 8055i interactive flat panel	A computer with either a Windows operating system or Mac OS X operating system software and SMART Notebook™ collaborative learning software installed. For a complete list of computer requirements, see the SMART Notebook software release notes available at smarttech.com/downloads .

SPECIFICATIONS

SMART Board interactive flat panel – Models 8055i and 8055i-SMP

Storage and operating requirements

Power requirements

0.8A to 1.8A at 100V to 240V AC, 50 Hz to 60 Hz

Power consumption at 77°F (25°C)

Typically up to 148 W (brightness at 80% and volume at 50), maximum 178 W (brightness and volume at maximum)

Operating temperature

41°F to 95°F (5°C to 35°C)

Storage temperature

-4°F to 140°F (-20°C to 60°C)

Humidity

5% to 80% relative humidity, non-condensing

CAUTION

- The interactive flat panel is intended for indoor use only.
- Do not pour or spray liquids onto your product's electronic components.

Ventilation requirements

Maintain a 4" (10 cm) ventilation area on all sides of your interactive flat panel to enable its cooling fans to operate. Don't store or operate your interactive flat panel in dusty environments because dust could interfere with the product's ventilation and cooling.

Environmental

Electrostatic discharge (ESD)

- Designed to withstand electrostatic shock
- EN61000-4-2 severity level 3 for direct and indirect ESD (± 4 kV Contact / ± 8 kV Air)

Conducted and radiated emissions

- FCC part 15 Class A
- EN55022 / CISPR 22
- KN55022

Flammability rating

Electronics and connectors

UL 94-V0

Mechanical parts

UL 94-HB

USB cable

UL VW-1 / CSA FT4

Environmental compliance

EU RoHS, WEEE, Battery and Packaging, U.S. Packaging

SPECIFICATIONS

SMART Board interactive flat panel – Models 8055i and 8055i-SMP

Regulatory certification CB report, CE (Class A), C-Tick (Class A), FCC (Class A), UL, KCC, PSB, UL/C-US and PSE

SMART order numbers

SBID 8055i-SMP SMART Board interactive flat panel. Includes a SMART Meeting Pro software license key and a SMART GoWire cable with SMART Meeting Pro software.

SBID 8055i SMART Board interactive flat panel. Includes a SMART Notebook software installation DVD.

Optional accessories

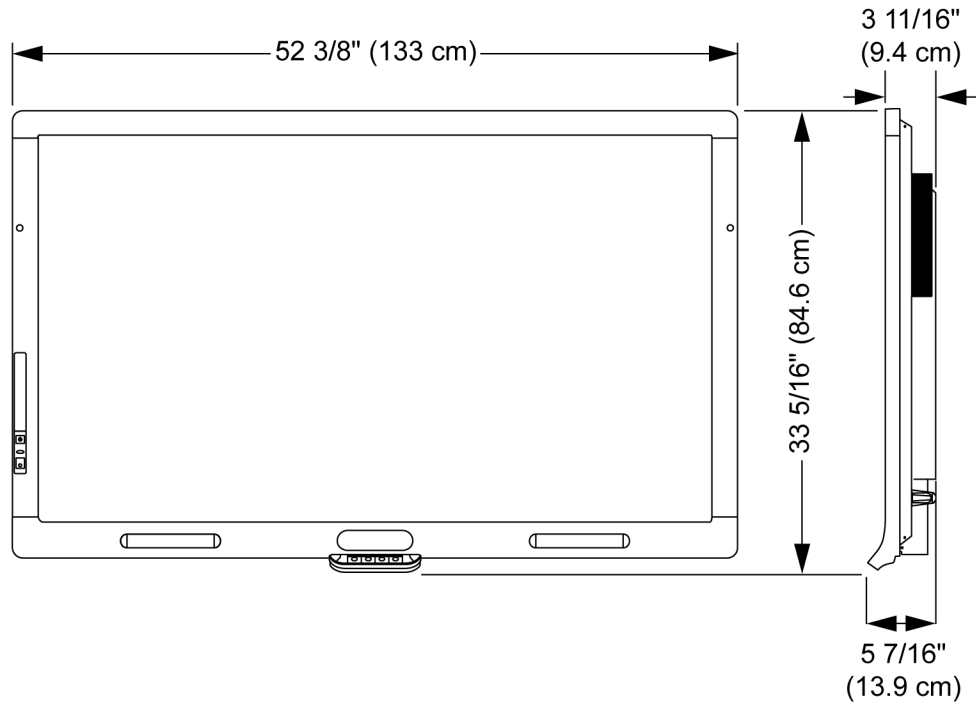
For more information on additional accessories for your SMART Board interactive flat panels, see smarttech.com/accessories.

SPECIFICATIONS

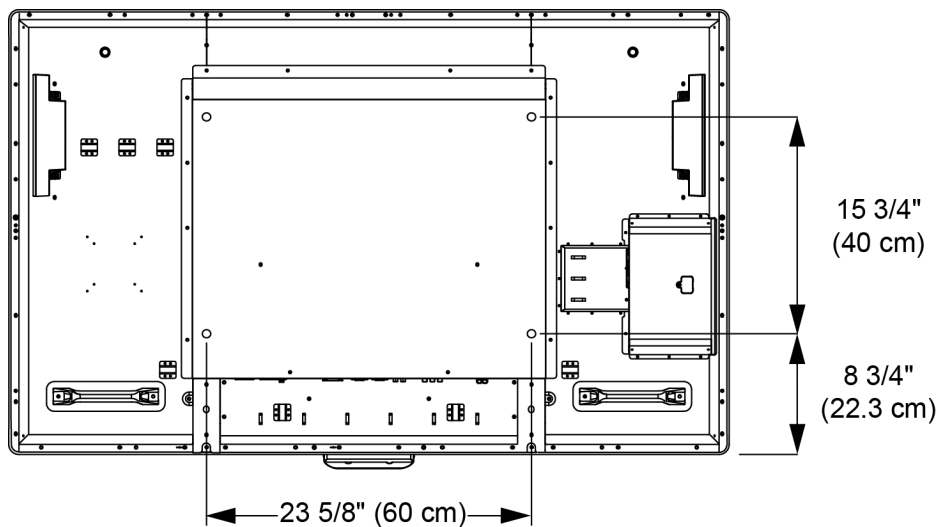
SMART Board interactive flat panel – Models 8055i and 8055i-SMP

Physical dimensions

Front and side view



Back view



smarttech.com/support
smarttech.com/contactsupport

© 2010–2014 SMART Technologies ULC. All rights reserved. SMART Board, smarttech, DVIT, SMART Meeting Pro, SMART Notebook, SMART GoWire, the SMART logo and all SMART taglines are trademarks or registered trademarks of SMART Technologies ULC in the U.S. and/or other countries. All third-party product and company names may be trademarks of their respective owners. This product and/or use thereof covered by one or more of the following U.S. patents. www.smarttech.com/patents. Contents are subject to change without notice. 08/2014.