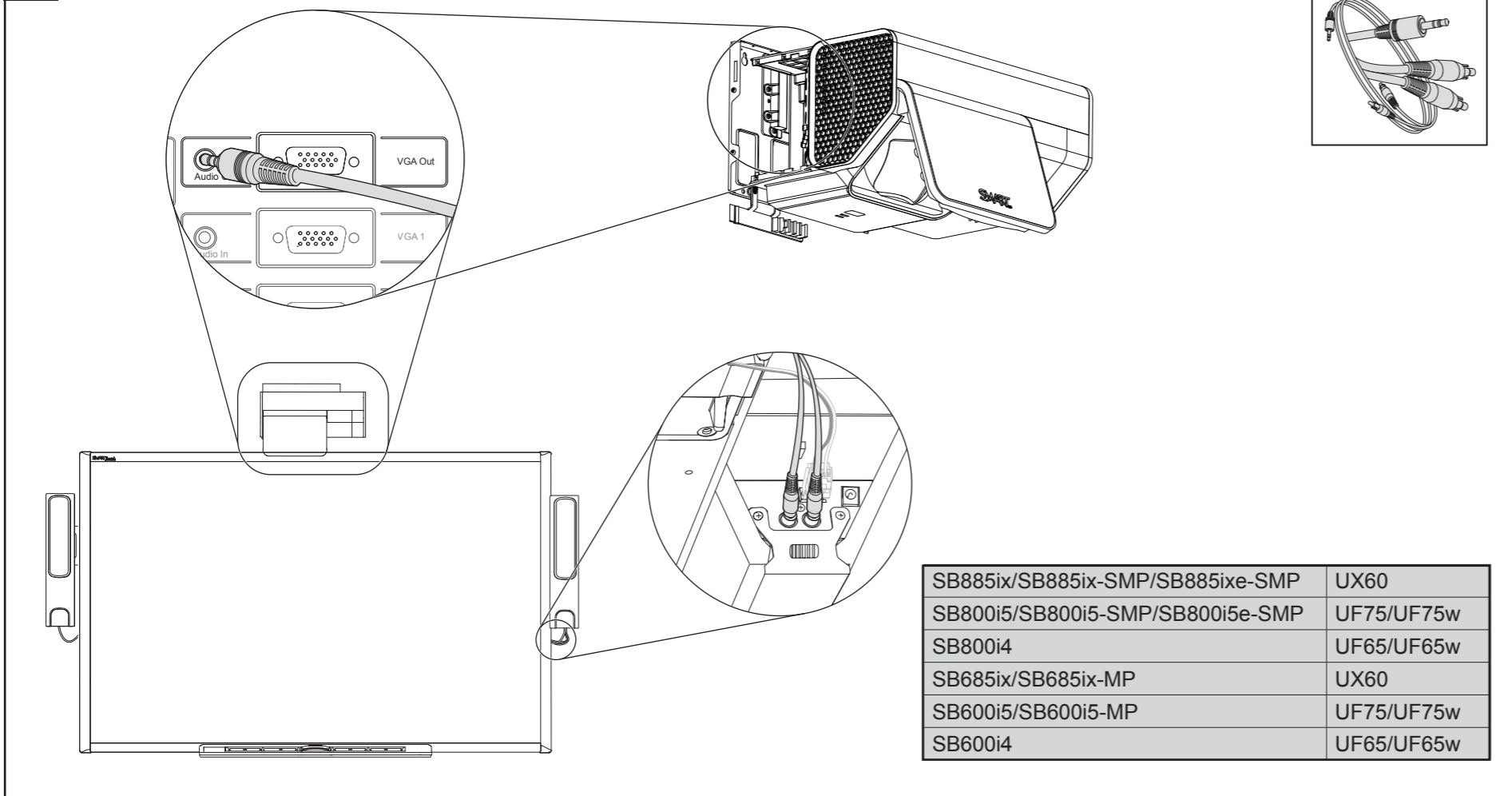


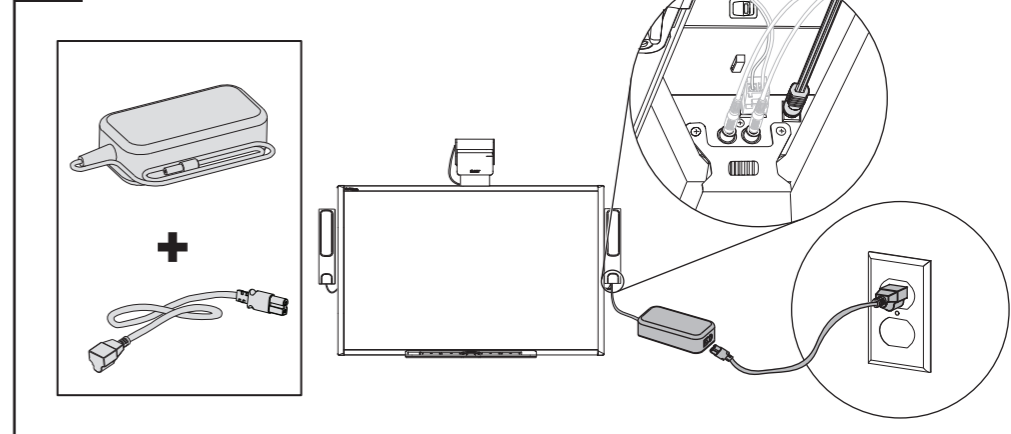


10

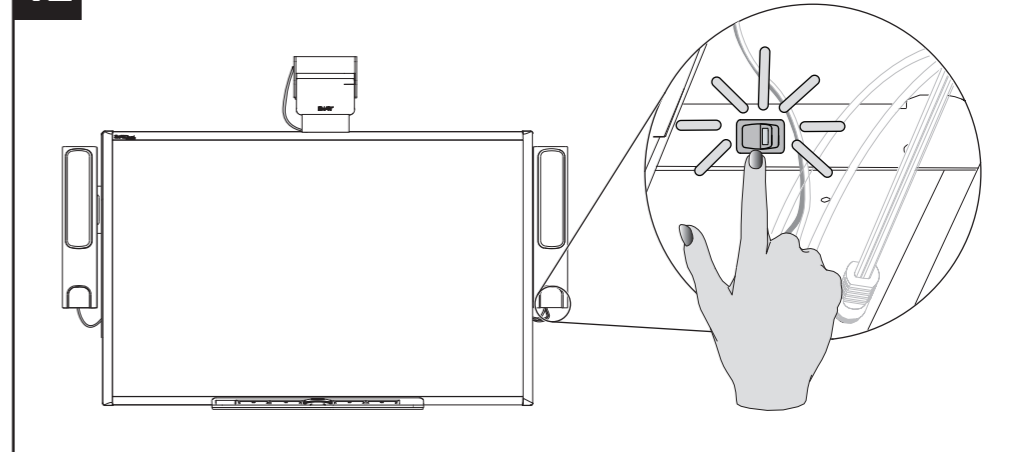


SB885ix/SB885ix-SMP/SB885ixe-SMP	UX60
SB800i5/SB800i5-SMP/SB800i5e-SMP	UF75/UF75w
SB800i4	UF65/UF65w
SB685ix/SB685ix-MP	UX60
SB600i5/SB600i5-MP	UF75/UF75w
SB600i4	UF65/UF65w

11



12



### Warning

To reduce the risk of fire or electrical shock, do not expose this SMART product to rain or moisture. Do not place anything containing fluids on the SMART product. If you notice anything unusual with your SMART product, immediately disconnect the power cable from the power outlet.

### Hardware environmental compliance

SMART Technologies supports global efforts to ensure that electronic equipment is manufactured, sold and disposed of in a safe and environmentally friendly manner.

### Waste Electrical and Electronic Equipment regulations (WEEE directive)

Waste Electrical and Electronic Equipment regulations apply to all electrical and electronic equipment sold within the European Union. When you dispose of any electrical or electronic equipment, including SMART Technologies products, we strongly encourage you to properly recycle the electronic product when it has reached end of its life. If you require further information, please contact your reseller or SMART Technologies for information on which recycling agency to contact.

### Restriction of Certain Chemicals (REACH directive)

The European Union has enacted the EU REACH directive which restricts the use of certain chemicals in products. SMART Technologies is committed to complying with this initiative.

### Restriction of Certain Hazardous Substances (RoHS directive)

This product meets the requirements of the European Union's Restriction of Certain Hazardous Substances (RoHS) directive 2002/95/EC. Consequently, this product also complies with other regulations that have arisen in various geographical areas and that reference the European Union's RoHS directive.

### Packaging

Many countries have regulations restricting the use of certain heavy metals in product packaging. The packaging used by SMART Technologies to ship products complies with packaging laws.

### China's Electronic Information Products regulations

China regulates products that are classified as EIP (Electronic Information Products). SMART Technologies products fall under this classification and meet the requirements for China's EIP regulations.

### U.S. Consumer Product Safety Improvement Act

The United States has enacted the *Consumer Product Safety Improvement Act* which limits the lead (Pb) content in products used by children. SMART Technologies is committed to complying with this initiative.

