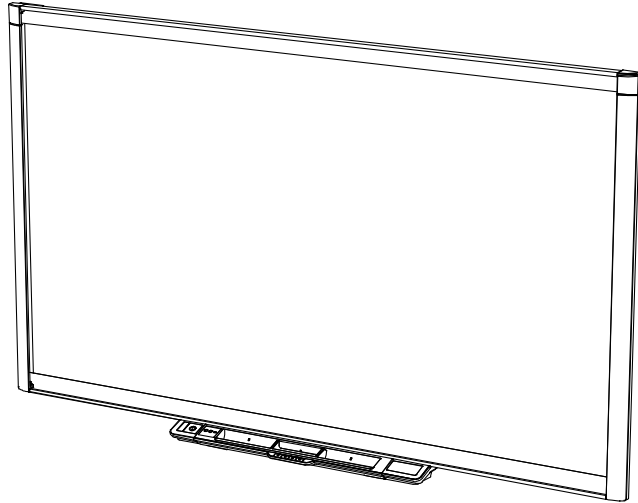


SMART[®]



Service Parts Diagrams

For Model:

**SB880-SMP revision 2
SB885-SMP revision 2**

**Applies only to models with serial numbers that are within
the following ranges:**

**SBA880-H2/M2-A000001 to SBA880-H2/M2-A999999
SBA885-H2/M2-A000001 to SBA885-H2/M2-A999999**

Service Parts Diagrams Revision History

Revision 1 - February, 2012

- New document

Revision 2 - November, 2012

- Remove camera FRU notes

Revision 3 - October, 2013

- Change 1017525 to GW-MPPE

Standard Warranty Terms

Base Product: Your interactive whiteboard has a two-year limited equipment warranty or a five-year limited equipment warranty upon registration.

First Customer Ship: April, 2012

SMART Technologies

3636 Research Road NW

Calgary, AB T2L 1Y1

CANADA

Support +1.403.228.5940 or Toll Free 1.866.518.6791 (Canada/U.S.)

Support Fax +1.403.806.1256

www.smarttech.com/contactserviceparts www.smarttech.com

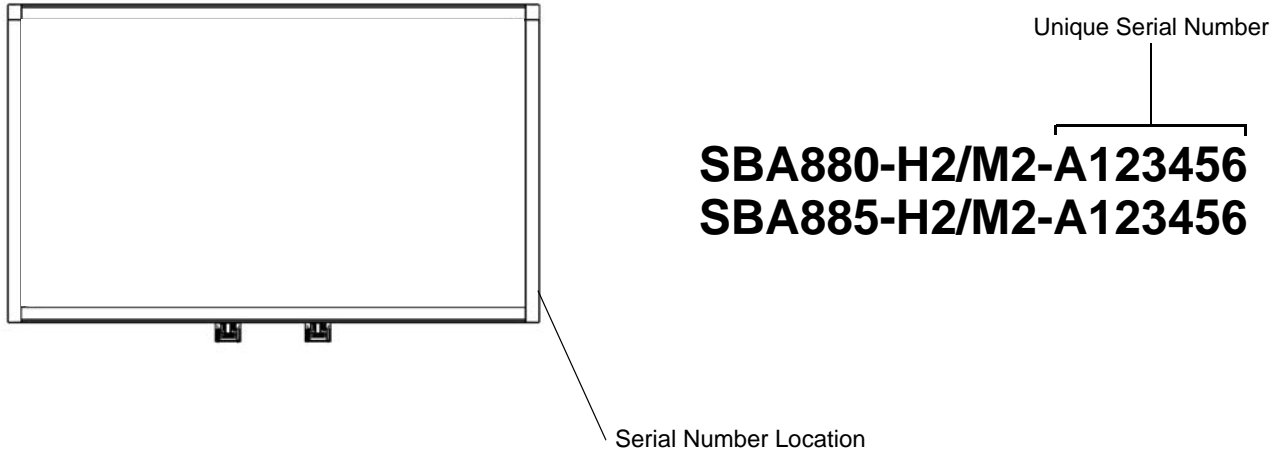
The SMART logo consists of the word "SMART" in a bold, stylized, sans-serif font. The letters are black with a white outline, and a registered trademark symbol (®) is located at the bottom right of the letter "T".

Service Parts Diagrams for the SB880-SMP and SB885-SMP

Identifying Your Product Using the Serial Number 1
Ordering Parts 1
SB880-SMP Parts 2
SB885-SMP Parts 4

Identifying Your Product Using the Serial Number

To make sure that you have the correct service parts diagrams, you must verify the serial number of your SMART Board 800 series interactive whiteboard. The serial number will be located on the side of the right hand bezel as shown below. An example of the serial number format is shown below.



Ordering Parts

Customers

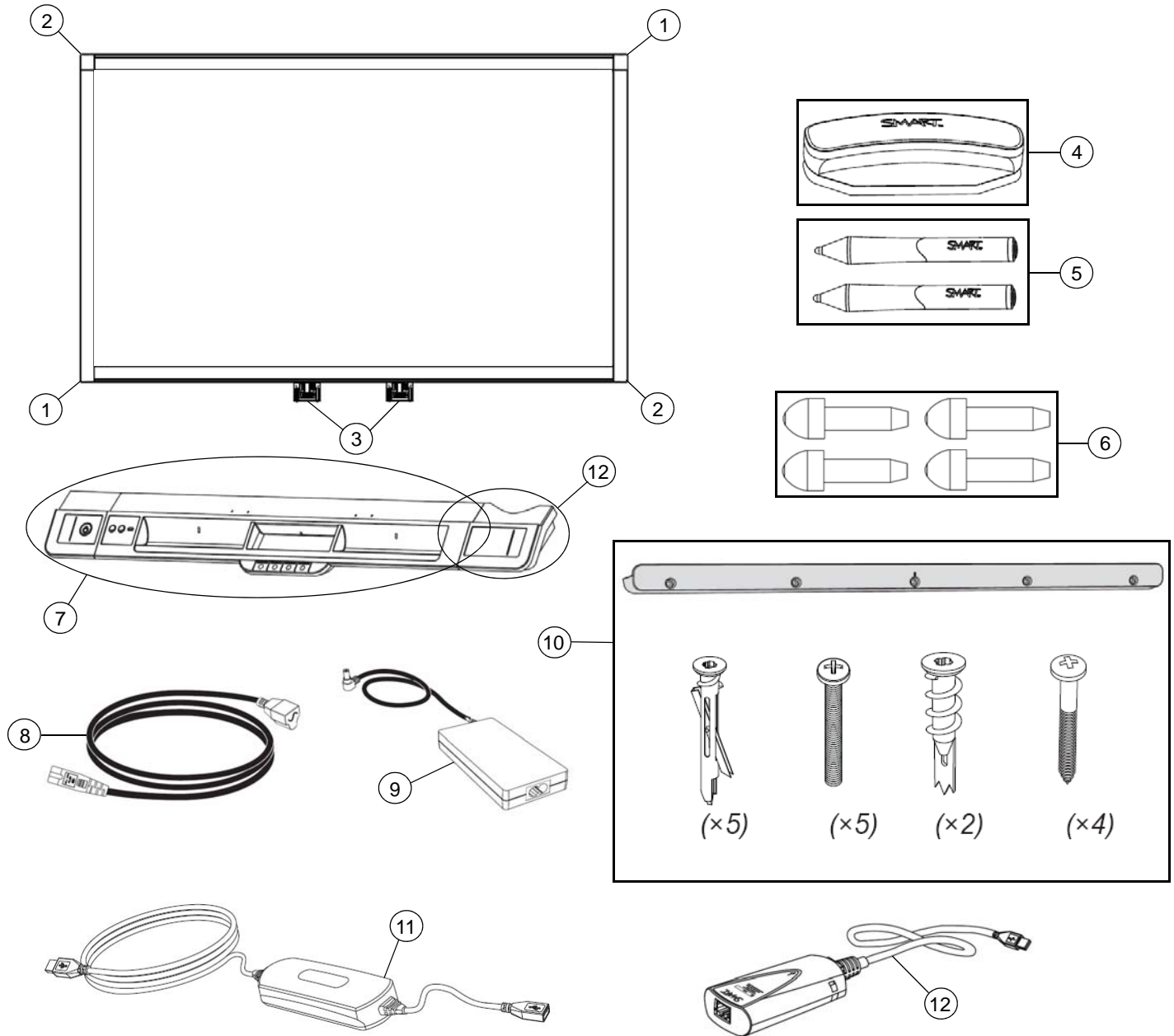
To order any of the parts in these service parts diagrams, contact your local reseller. To find a reseller near you, visit www.smarttech.com/where.

Dealers and Distributors

For specific technical and pricing enquiries in regards to these diagrams please contact our service parts department. Pricing is also available on-line via the SOURCE website (source.smarttech.com).

Web Form: www.smarttech.com/contactserviceparts
Phone: 1.888.42.SMART
International: +1.403.245.0333

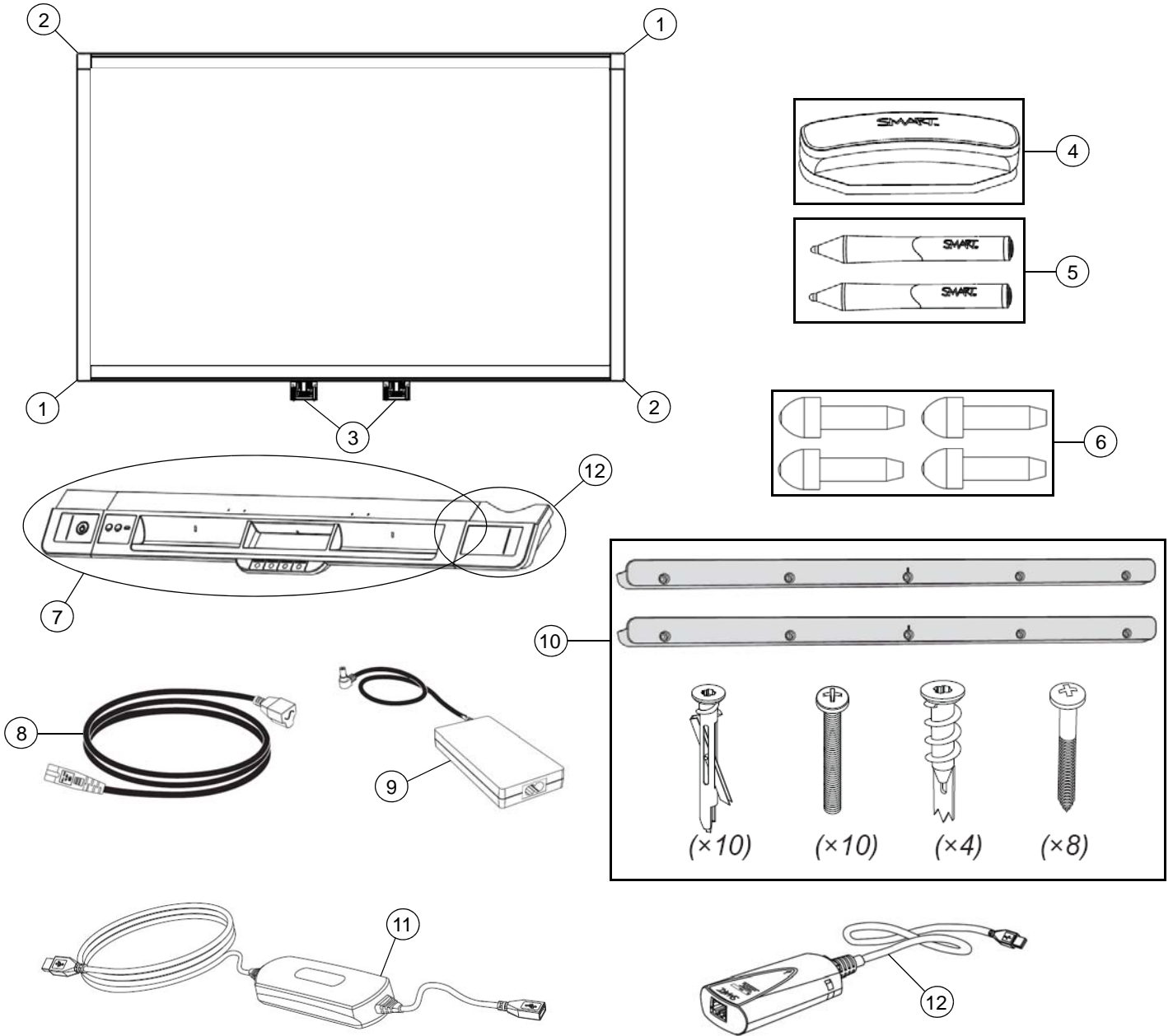
SB880-SMP Parts



Item	Part No.	Qty	Description
1	FRU-CAM2-SBX880-A	2	FRU, camera A, revision 2, SBX880, position 0 and 2
2	FRU-CAM2-SBX880-B	2	FRU, camera B, revision 2, SBX880, position 1 and 3
3	51-00817-20	2	Bracket, mounting, pen tray
4	RERASER-SBX8	1	Replacement Eraser for SMART Board X800 Series
5	RPEN-SBX8-MP	1	Replacement Pens for SMART Board X800 Series for Business - Set of Two
6	FRU-NIB-SBX8	1	Replacement Nibs for SBX8 Pen - Set of Four
7	FRU-PT14-2	1	FRU, pen tray, PT14, revision 2 NOTE: SBX800 CAT5-XT is not included.

8	93-00592-20	1	Cable, power, North America, 6' 6" (2.0 m)
8	93-00542-20	1	Cable, power, Europe, 6' 6" (2.0 m)
8	93-00543-20	1	Cable, power, United Kingdom, 6' 6" (2.0 m)
8	93-00576-20	1	Cable, power, Australia, 6' 6" (2.0 m)
8	93-00806-20	1	Cable, power, China, 6' 6" (2.0 m)
9	1013652	1	Power supply, 5V DC, 2A, universal switching
10	FRU-SBX8WM	1	FRU, SBX8, wall mounting kit
11	GW-MPPE	1	SMART GoWire auto-launch cable with Meeting Pro Personal Edition
12	SBX800 CAT5-XT	1	Cat 5 to USB Extender for SMART Board X800 Series Interactive Whiteboard NOTE: Includes pen tray and computer modules.
Not shown	52-00683-20	1	Bracket, backboard hanger NOTE: Comes attached to the back of the SMART Board.
Not shown	52-00669-21	2	Cover, back, camera, position 0 and 2
Not shown	52-00668-21	2	Cover, back, camera, position 1 and 3
Not shown	1013718	1	Cable, harness, pen tray to cameras, SBX880 NOTE: Connects camera 0, 1, 2, and 3 to the pen tray.
Not shown	FRU-PKG-SBX880	1	FRU, packaging, SBX880 SMART Board Interactive Whiteboard

SB885-SMP Parts



Item	Part No.	Qty	Description
1	FRU-CAM2-SBX885-A	2	FRU, camera A, revision 2, SBX885, position 0 and 2
2	FRU-CAM2-SBX885-B	2	FRU, camera B, revision 2, SBX885, position 1 and 3
3	51-00817-20	2	Bracket, mounting, pen tray
4	RERASER-SBX8	1	Replacement Eraser for SMART Board X800 Series
5	RPEN-SBX8-MP	1	Replacement Pens for SMART Board X800 Series for Business - Set of Two
6	FRU-NIB-SBX8	1	Replacement Nibs for SBX8 Pen - Set of Four
7	FRU-PT14-2	1	FRU, pen tray, PT14, revision 2 NOTE: SBX800 CAT5-XT is not included.

8	93-00592-20	1	Cable, power, North America, 6' 6" (2.0 m)
8	93-00542-20	1	Cable, power, Europe, 6' 6" (2.0 m)
8	93-00543-20	1	Cable, power, United Kingdom, 6' 6" (2.0 m)
8	93-00576-20	1	Cable, power, Australia, 6' 6" (2.0 m)
8	93-00806-20	1	Cable, power, China, 6' 6" (2.0 m)
9	1013652	1	Power supply, 5V DC, 2A, universal switching
10	FRU-SBX8WM	2	FRU, SBX8, wall mounting kit
11	GW-MPPE	1	SMART GoWire auto-launch cable with Meeting Pro Personal Edition
12	SBX800 CAT5-XT	1	Cat 5 to USB Extender for SMART Board X800 Series Interactive Whiteboard NOTE: Includes pen tray and computer modules.
Not shown	52-00683-20	2	Bracket, backboard hanger NOTE: Comes attached to the back of the SMART Board.
Not shown	52-00669-21	2	Cover, back, camera, position 0 and 2
Not shown	52-00668-21	2	Cover, back, camera, position 1 and 3
Not shown	1013719	1	Cable, harness, pen tray to cameras, SBX885 NOTE: Connects camera 0, 1, 2, and 3 to the pen tray.
Not shown	FRU-PKG-SBX885	1	FRU, packaging, SBX885 SMART Board Interactive Whiteboard

